

REMOTE up to 100m 17" Multi-touch capacitive touchscreen monitor



up to 100m



MONITOR

DISPLAY

TFT TYPE	17" TFT LCD
MAX RESOLUTION	1280x1024
LUMINANCE	350 cd/m ²
CONTRAST RATIO	1000 : 1
VIEW ANGLE	85° / 80° / 85° / 85° (L/R/U/D)
MAX COLORS	16.7 Millions
TOUCH TYPE	Projected capacitive multi-touch control

EXTERNAL I/O AND CABLE

CONNECTION	Cat5e/6/7 cable up to 100m
REMOTE INPUT	Ethernet cable connector
USB PORTS	1x USB 2.0
SUPPLY CONNECTION	24 VDC terminal block

POWER SYSTEM

RATED INPUT VOLTAGE	24 VDC
INPUT VOLTAGE LIMIT	22-32 VDC
POWER CONSUMPTION	22 W

TRANSMITTER

EXTERNAL I/O AND CABLE

CONNECTION	Cat5e/6/7 cable up to 100m
REMOTE OUTPUT	Ethernet cable connector
SUPPLY CONNECTION	24 VDC terminal block

POWER SYSTEM

RATED INPUT VOLTAGE	24 VDC
INPUT VOLTAGE LIMIT	15-35 VDC
POWER CONSUMPTION	2.5 W



MECHANICAL

DIMENSIONS (WxHxD)	455x355x64 mm (18x14x2.5 in)
WEIGHT	4.5 Kg
FRONT PANEL	Aluminum frontal frame with 3mm temperate glass
CHASSIS	SECC steel (galvanized)
MOUNTING TYPE	Panel mounting with retaining clips or VESA 100

ENVIRONMENT

OPERATING TEMPERATURE	0 ~ 50 °C (32 ~ 122 °F)
STORAGE TEMPERATURE	-20 ~ 60 °C (-4 ~ 140 °F)
OPERATING HUMIDITY	10 ~ 95 % @ 40°C (non-condensing)
FRONT PANEL PROTECTION	IP66
EMC	CE
SAFETY	CE



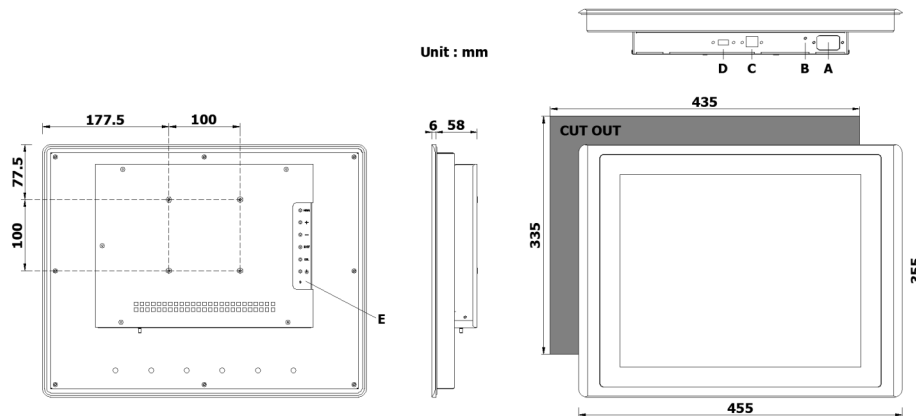
MECHANICAL

DIMENSIONS (WxHxD)	115x65x40 mm (4.5x2.6x1.6 in)
WEIGHT	0.2 Kg
CHASSIS	Painted steel
MOUNTING TYPE	DIN RAIL mounting, FLAT mounting

ENVIRONMENT

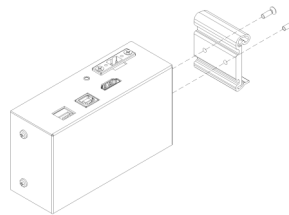
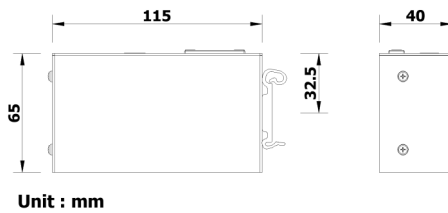
OPERATING TEMPERATURE	0 ~ 45 °C (32 ~ 123 °F)
STORAGE TEMPERATURE	-20 ~ 70 °C (-4 ~ 158 °F)
OPERATING HUMIDITY	10 ~ 90 % @ 40°C (non-condensing)
EMC	CE
SAFETY	CE

REMOTE up to 100m 17" Multi-touch capacitive touchscreen monitor

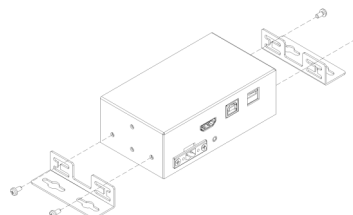
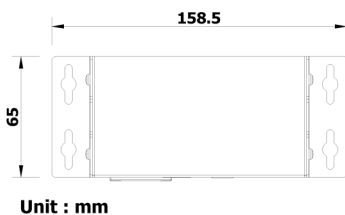


MONITOR Dimensions - I/O View :

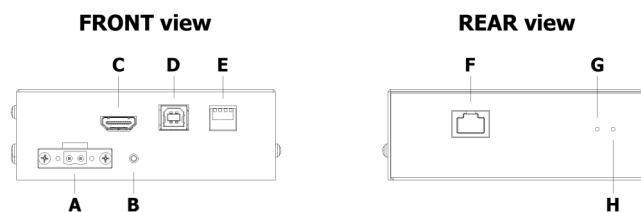
- A - Supply Connector
- B - Ground Connector
- C - LAN Remote Receiver
- D - USB 2.0
- E - OSD Keyboard



DIN RAIL mounting
(included in the package)



FLAT mounting
(included in the package)



TRANSMITTER Dimensions - I/O View - Mounting types :

- A - Supply Connector (24VDC)
- B - Ground Connector
- C - HDMI
- D - USB 2.0
- E - Channel ID
- F - LAN Remote Transmitter
- G - Link LED
- H - Power LED

REMOTE up to 100m 17" Multi-touch capacitive touchscreen monitor

FRONTAL PANEL OPTIONAL

Frontal panel graphic customization area for logo¹



¹To go on with the frontal panel customization, we need the vectorial logo and the logo spot on the panel. Later we will send you a preview to be confirmed.

Unit : mm

