

Fanless 17" Industrial Panel PC with Intel® Core™ i3-7100T / i5-7500T / i7-7700T



FEATURES

- Intel® Core™ i3-7100T / i5-7500T / i7-7700T
- 17" 1280x1024 LCD display
- Projected capacitive multi-touch control
- Flat frontal panel, IP66-compliant
- Dual Gigabit Ethernet
- Triple display support
- Standard PCIe x4 expansion slot
- WWide DC power range 9-36 VDC, I/O Isolation 4000 VDC
- Wide AC power range 85-264 VAC



SYSTEM

CPU	Intel® Core™ i3-7100T Intel® Core™ i5-7500T Intel® Core™ i7-7700T
CHIPSET	Intel® Kaby Lake
GRAPHICS	Intel® Gen9 Graphics DX 11/12
MEMORY TYPE	2x DDR4 SO-DIMM 2133 MHz max 32 GB
AUDIO	High Definition Audio
ETHERNET	1x 10/100/1000 Mbps Intel® I210 1x 10/100/1000 Mbps Intel® I219LM

DISPLAY

TFT TYPE	17" TFT LCD
MAX RESOLUTION	1280x1024
LUMINANCE	350 cd/m ²
CONTRAST RATIO	1000 : 1
VIEW ANGLE	85° / 80° / 85° / 85° (L/R/U/D)
MAX COLORS	16.7 Millions
TOUCH TYPE	Projected capacitive multi-touch control

STORAGE

DEVICE	1x 2.5" SSD / HDD
--------	-------------------

EXTERNAL I/O

SERIAL PORTS	2x COM (RS-232/422/485), 1x COM (RS-232)
USB PORTS	4x USB 3.0, 1x USB 2.0
AUDIO	1x Line-Out, 1x Mic In
VIDEO OUTPUT	3x HDMI (4096x2160)
LAN	2x RJ45 Ethernet ports
PS2	N/A
SUPPLY CONNECTION	24 VDC terminal block 110-230 VAC standard VDE connector

EXPANSION SLOT

MINI-PCIe	1x half size with PCIe x1
mSATA/Mini-PCIe	1x full size shared with mSATA (SATA3)
PCIe slot	1x PCIe x4 slot (up to 200 mm) power reserved 5W

OS SUPPORT

MICROSOFT®	Windows 10 Enterprise LTSC 2016 (64 bit)
MICROSOFT®	Windows 10 Enterprise LTSC 2019 (64 bit)
MICROSOFT®	Windows 10 Enterprise LTSC 2021 (64 bit)
MICROSOFT®	Windows 10 PRO (64 bit)
LINUX	Ubuntu 20.04.1 LTS or newer and further distros

POWER SYSTEM

RATED INPUT VOLTAGE	24 VDC 110-230 VAC
INPUT VOLTAGE LIMIT	9-36 VDC 85-264 VAC
POWER CONSUMPTION	70 W

MECHANICAL

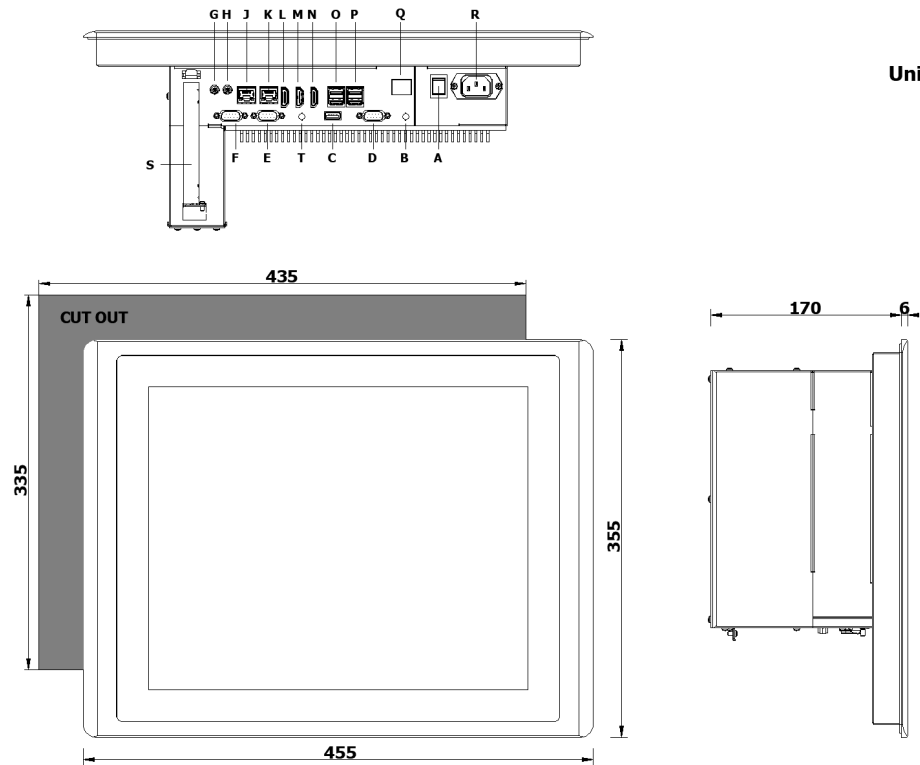
DIMENSION (WxHxD)	455x355x176 mm (17.9x13,9x6.9 in)
WEIGHT	8.5 Kg
FRONT PANEL	Aluminum frontal frame with 3 mm temperate glass
CHASSIS	SECC steel (galvanized)
MOUNTING TYPE	Panel mounting with retaining clips

ENVIRONMENT

OPERATING TEMPERATURE	0 ~ 50 °C (32 ~ 122 °F) 0 ~ 45 °C (32 ~ 113 °F) only for i7
STORAGE TEMPERATURE	-20 ~ 60 °C (-4 ~ 140 °F)
OPERATING HUMIDITY	10 ~ 95 % @ 40°C (non-condensing)
FRONT PANEL PROTECTION	IP66
EMC	CE
SAFETY	CE

Dimensions - I/O View :

- A - Power switch
- B - Wi-fi antenna (optional)
- C - 1x USB 2.0
- D - RS-232/422/485 (COM 1)
- E - RS-232/422/485 (COM 2)
- F - RS-232 (COM 3)
- G - Audio output
- H - Mic-in
- J - Gigabit LAN 2
- K - Gigabit LAN 1
- L - HDMI 3
- M - HDMI 2
- N - HDMI 1
- O - 2x USB 3.0
- P - 2x USB 3.0
- Q - Gigabit LAN 3 (optional)
- R - Supply connector
- S - 1x PCIe x4 slot
- T - Wi-fi antenna (optional)



Unit : mm

AVAILABLE OPTIONS		CONFIGURATION NUMBER						
		1	2	3	4	5	6	7
WiFi Lan	Wi-Fi Lan ¹	●			●	●		
LAN	1x RJ45 Gigabit Lan MiniPCI-Express card		●		●			
Serial Ports	1x optoisolated serial port RS-422/485 MiniPCI-Express card ²			●		●		
Notes								
¹ 1 mt Wi-Fi antenna cable extension available on request								
² Serial port will be set on the "F" position instead of RS232 COM3								

FRONTAL PANEL OPTIONAL

Frontal panel graphic customization area for logo¹



¹To go on with the frontal panel customization, we need the vectorial logo and the logo spot on the panel.
Later we will send you a preview to be confirmed.

Unit : mm

