



FEATURES

- Intel® Core™ i3-7100T / i5-7500T / i7-7700T
- 12.1" 800x600 / 1024x768 LCD display
- Projected capacitive multi-touch control
- Flat frontal panel, IP66-compliant
- Dual Gigabit Ethernet
- Triple display support
- Wide DC power range 9-36 VDC, I/O isolation 4000 VDC
- Wide AC power range 85-264 VAC



| SYSTEM | |
|-------------|---|
| CPU | Intel® Core™ i3-7100T Intel® Core™ i5-7500T Intel® Core™ i7-7700T |
| CHIPSET | Intel® Kaby Lake |
| GRAPHICS | Intel® Gen9 Graphics DX 11/12 |
| MEMORY TYPE | 2x DDR4 SO-DIMM 2133 MHz max 32 GB |
| AUDIO | High Definition Audio |
| ETHERNET | 1x 10/100/1000 Mbps Intel® I210 1x 10/100/1000 Mbps Intel® I219LM |

| OS SUPPORT | |
|------------|---|
| MICROSOFT® | Windows 10 Enterprise LTSC 2016 (64 bit) |
| MICROSOFT® | Windows 10 Enterprise LTSC 2019 (64 bit) |
| MICROSOFT® | Windows 10 Enterprise LTSC 2021 (64 bit) |
| MICROSOFT® | Windows 10 PRO (64 bit) |
| LINUX | Ubuntu 20.04.1 LTS or newer and further distros |

| DISPLAY | |
|----------------|---|
| TFT TYPE | 12.1" TFT LCD |
| MAX RESOLUTION | 800x600 or 1024x768 |
| LUMINANCE | 450 cd/m ² or 500 cd/m ² |
| CONTRAST RATIO | 700 : 1 |
| VIEW ANGLE | Res. 800x600 : 80° / 80° / 65° / 75° (L/R/U/D) Res. 1024x768 : 80° / 80° / 80° / 80° (L/R/U/D) |
| MAX COLORS | 16.7 Millions |
| TOUCH TYPE | Projected capacitive multi-touch control |

| POWER SYSTEM | |
|---------------------|------------------------|
| RATED INPUT VOLTAGE | 24 VDC 110-230 VAC |
| INPUT VOLTAGE LIMIT | 9-36 VDC 85-264 VAC |
| POWER CONSUMPTION | 60 W |

| STORAGE | |
|---------|-------------------|
| DEVICE | 1x 2.5" SSD / HDD |

| MECHANICAL | |
|-------------------|--|
| DIMENSION (WxHxD) | 335x270x95 mm (13.2x10.6x3.7 in) |
| WEIGHT | 5.5 Kg |
| FRONT PANEL | Aluminum frontal frame with 3 mm temperate glass |
| CHASSIS | SECC steel (galvanized) |
| MOUNTING TYPE | Panel mounting with retaining clips |

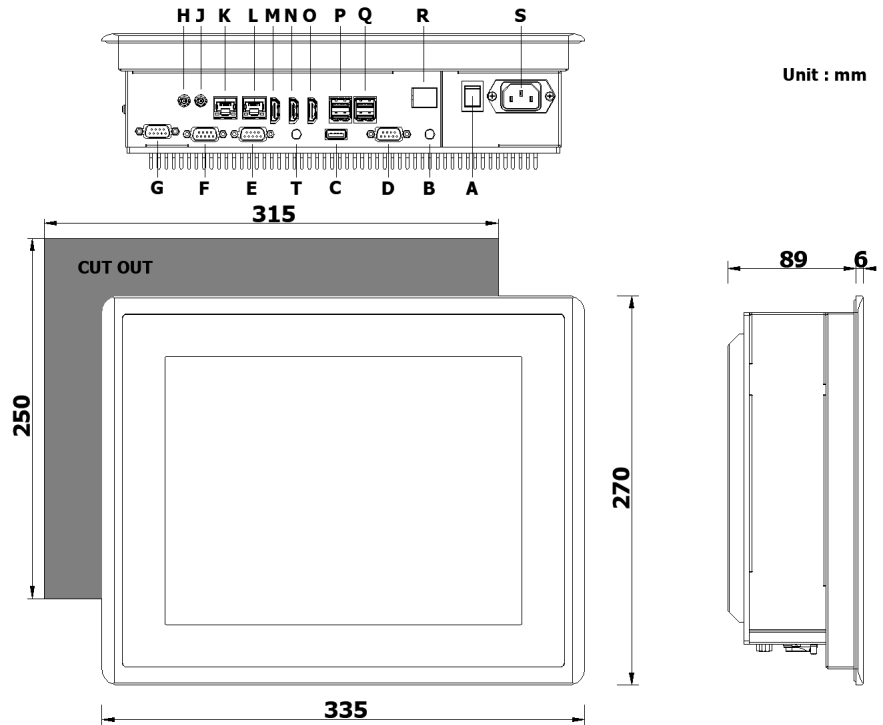
| EXTERNAL I/O | |
|-------------------|---|
| SERIAL PORTS | 2x COM (RS-232/422/485), 2x COM (RS-232) |
| USB PORTS | 4x USB 3.0, 1x USB 2.0 |
| AUDIO | 1x Line-Out, 1x Mic In |
| VIDEO OUTPUT | 3x HDMI (4096x2160) |
| LAN | 2x RJ45 Ethernet ports |
| PS2 | N/A |
| SUPPLY CONNECTION | 24 VDC terminal block 110-230 VAC standard VDE connector |

| ENVIRONMENT | |
|------------------------|--|
| OPERATING TEMPERATURE | 0 ~ 50 °C (32 ~ 122 °F) 0 ~ 45 °C (32 ~ 113 °F) only for i7 |
| STORAGE TEMPERATURE | -20 ~ 60 °C (-4 ~ 140 °F) |
| OPERATING HUMIDITY | 10 ~ 95 % @ 40°C (non-condensing) |
| FRONT PANEL PROTECTION | IP66 |
| EMC | CE |
| SAFETY | CE |

| EXPANSION SLOT | |
|-----------------|--|
| MINI-PCIE | 1x half size with PCIe x1 |
| mSATA/Mini-PCie | 1x full size shared with mSATA (SATA3) |

Dimensions - I/O View :

- A - Power switch
- B - Wi-fi antenna (optional)
- C - 1x USB 2.0
- D - RS-232/422/485 (COM 1)
- E - RS-232/422/485 (COM 2)
- F - RS-232 (COM 3)
- G - RS-232 (COM 4)
- H - Audio output
- J - Mic-in
- K - Gigabit LAN 2
- L - Gigabit LAN 1
- M - HDMI 3
- N - HDMI 2
- O - HDMI 1
- P - 2x USB 3.0
- Q - 2x USB 3.0
- R - Gigabit LAN 3 (optional)
- S - Supply connector
- T - Wi-fi antenna (optional)



| AVAILABLE OPTIONS | | CONFIGURATION NUMBER | | | | | | |
|--|---|----------------------|---|---|---|---|---|---|
| | | 1 | 2 | 3 | 4 | 5 | 6 | 7 |
| WiFi Lan | Wi-Fi Lan ¹ | ● | | | ● | ● | | |
| LAN | 1x RJ45 Gigabit Lan MiniPCI-Express card | | ● | | ● | | | |
| Serial Ports | 2x optoisolated serial ports RS-422/485 MiniPCI-Express card ² | | | ● | | ● | | |
| Notes | | | | | | | | |
| ¹ 1 mt Wi-Fi antenna cable extension available on request | | | | | | | | |
| ² Serial ports will be set on the "F-G" position instead of RS232 COM3-COM4 | | | | | | | | |

FRONTAL PANEL OPTIONAL

Frontal panel graphic customization area for logo¹



¹To go on with the frontal panel customization, we need the vectorial logo and the logo spot on the panel.
Later we will send you a preview to be confirmed.

Unit : mm

