

PAB323-FV



Fanless Industrial Box PC with Intel® Core™ i5-1135G7B



FEATURES

- Intel® Core™ i5-1135G7B
- Dual Gigabit Ethernet
- Dual display support
- Two kinds of mounting : DIN rail, WALL
- Wide DC power range 9-48 VDC



SYSTEM

CPU	Intel® Core™ i5-1135G7B
CHIPSET	Intel® Tiger Lake
GRAPHICS	Intel® Iris® X ^e Graphics
MEMORY TYPE	2x DDR4 SO-DIMM 3200 MHz up to 64 GB
AUDIO	Realtek® Audio Codec
ETHERNET	2x 10/100/1000 Mbps Intel® I219V and I211AT

STORAGE

DEVICE	1x M.2 SATA (2280) 1x 2.5" SSD / HDD (optional) RAID 0/1 option available
--------	---

EXTERNAL I/O

SERIAL PORTS	2x COM (RS-232/422/485)
USB PORTS	4x USB 3.2, 2x USB 2.0
AUDIO	N/A
VIDEO OUTPUT	2x HDMI (4096x2304)
LAN	2x RJ45 Ethernet ports
PS2	N/A
SUPPLY CONNECTION	24 VDC terminal block

EXPANSION SLOT

MINI-PCIE	1x full size with PCIe x1
M.2	1x KeyM (2280) with SATA 1x KeyE (2230)

OS SUPPORT

MICROSOFT®	Windows 10 Enterprise LTSC 2016 (64 bit)
MICROSOFT®	Windows 10 Enterprise LTSC 2019 (64 bit)
MICROSOFT®	Windows 10 Enterprise LTSC 2021 (64 bit)
MICROSOFT®	Windows 10 PRO (64 bit)
MICROSOFT®	Windows 11 PRO (64 bit)
LINUX	Ubuntu 20.04.1 LTS or newer and further distros

POWER SYSTEM

RATED INPUT VOLTAGE	24 VDC
INPUT VOLTAGE LIMIT	9-48 VDC
POWER CONSUMPTION	65 W

MECHANICAL

DIMENSION (WxHxD)	90x210x175 mm (3.5x8.3x6.9 in)
WEIGHT	2.0 Kg
CHASSIS	SECC steel (galvanized)
MOUNTING TYPE	DIN RAIL mounting *, WALL mounting *

ENVIRONMENT

OPERATING TEMPERATURE	0 ~ 50 °C (32 ~ 122 °F)
STORAGE TEMPERATURE	-20 ~ 60 °C (-4 ~ 140 °F)
OPERATING HUMIDITY	10 ~ 95 % @ 40°C (non-condensing)
EMC	CE
SAFETY	CE

* Included in the package

PAB323-FV

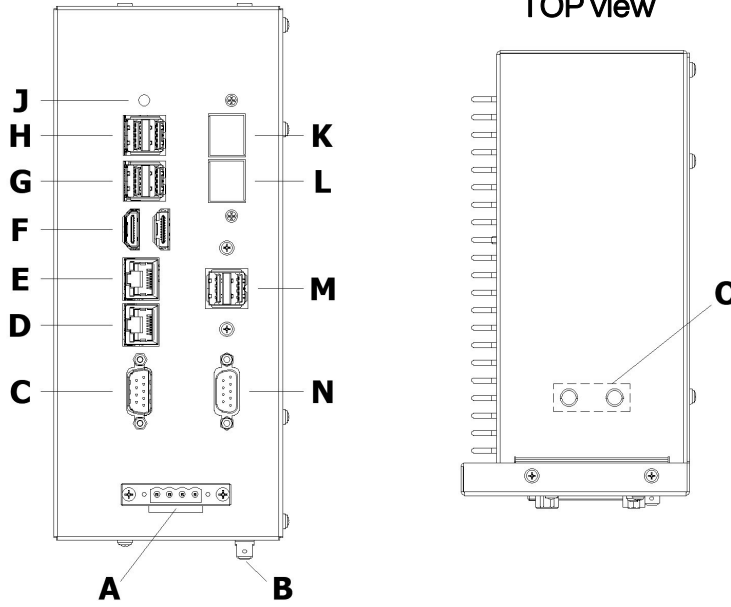
Fanless Industrial Box PC with Intel® Core™ i5-1135G7B

FRONT view

TOP view

PAB323 I/O View :

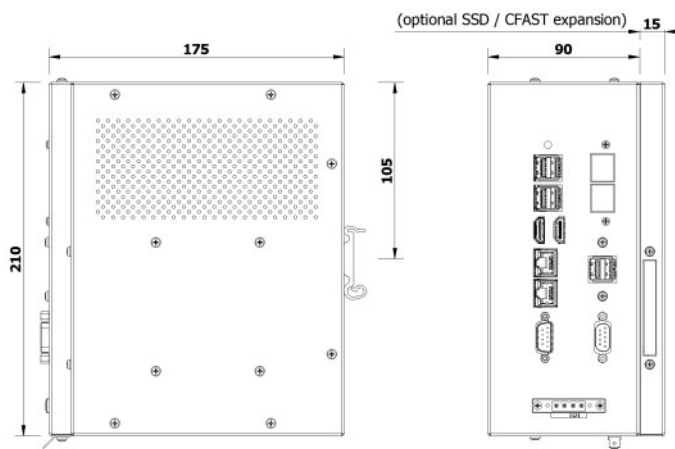
- A - Power connector (24VDC)
- B - Ground connector
- C - RS-232/422/485 (COM 1)
- D - Gigabit LAN 1
- E - Gigabit LAN 2
- F - 2x HDMI
- G - 2x USB 3.2
- H - 2x USB 3.2
- J - Power led
- K - Gigabit LAN 4 (optional)
- L - Gigabit LAN 3 (optional)
- M - 2x USB 2.0
- N - RS-232/422/485 (COM 2)
- O - Wi-fi antenna (optional)



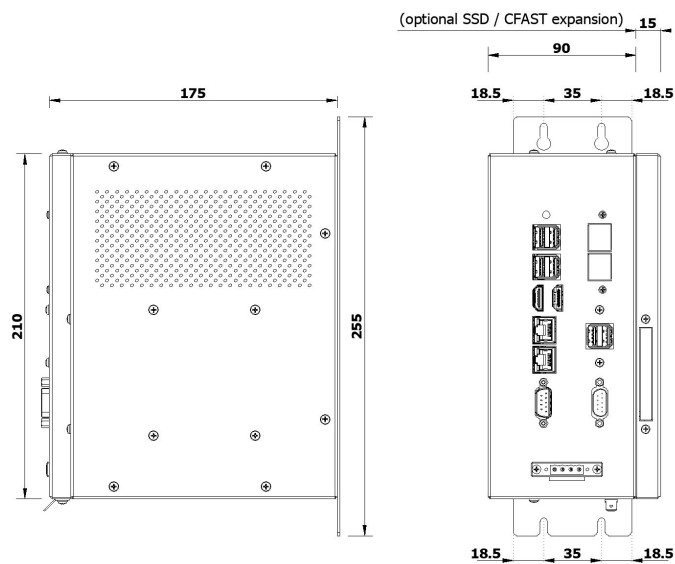
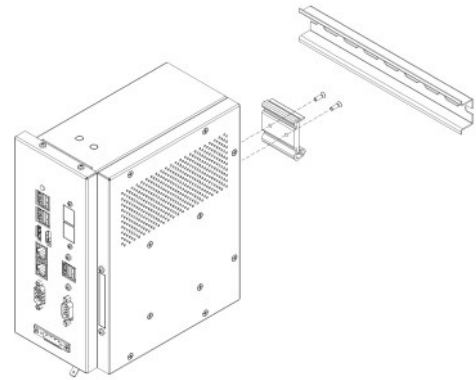
AVAILABLE OPTIONS		CONFIGURATION NUMBER						
		1	2	3	4	5	6	7
WIFI Lan	Wi-Fi Lan ¹	●			●	●		
LAN	2x RJ45 Gigabit Lan MiniPCI-Express card		●		●			
Serial Ports	1x optoisolated serial ports RS-422/485 MiniPCI-Express card ²			●		●		
Notes								
¹ 1 mt Wi-Fi antenna cable extension available on request								
² Serial port will be set on the "N" position instead of RS232 COM2								

PAB323-FV

Fanless Industrial Box PC with Intel® Core™ i5-1135G7B



DIN RAIL mounting
(included in the package)



WALL mounting
(included in the package)

