

PAB223-FU



Fanless Industrial Box PC with Intel® Celeron® J6412



FEATURES

- Intel® Celeron® J6412
- Dual Gigabit Ethernet
- Dual display support
- Three kinds of mounting : DIN rail, WALL, FLAT
- Wide DC power range 9-36 VDC



SYSTEM

CPU	Intel® Celeron® J6412, QC, 2.0 GHz
CHIPSET	Intel® Elkhart Lake
GRAPHICS	Intel® UHD Graphics 10th Gen.
MEMORY TYPE	2x DDR4 SO-DIMM 3200 MHz up to 32 GB
AUDIO	Realtek® Audio Codec
ETHERNET	2x 10/100/1000 Mbps Intel® I211AT

STORAGE

DEVICE	1x M.2 SATA (2280) 1x 2.5" SSD / HDD (optional)
--------	--

EXTERNAL I/O

SERIAL PORTS	2x COM (RS-232/422/485)
USB PORTS	4x USB 3.2, 2x USB 2.0
AUDIO	1x Line-out
VIDEO OUTPUT	2x HDMI (4096x2160)
LAN	2x RJ45 Ethernet ports
PS2	N/A
SUPPLY CONNECTION	24 VDC terminal block

EXPANSION SLOT

MINI-PCIE	1x full size with PCIe x1
M.2	1x KeyM (2280) with SATA

OS SUPPORT

MICROSOFT®	Windows 10 Enterprise LTSB 2016 (64 bit)
MICROSOFT®	Windows 10 Enterprise LTSC 2019 (64 bit)
MICROSOFT®	Windows 10 Enterprise LTSC 2021 (64 bit)
MICROSOFT®	Windows 10 PRO (64 bit)
MICROSOFT®	Windows 11 PRO (64 bit)
LINUX	Ubuntu 20.04.1 LTS or newer and further distros

POWER SYSTEM

RATED INPUT VOLTAGE	24 VDC
INPUT VOLTAGE LIMIT	9-36 VDC
POWER CONSUMPTION	15 W

MECHANICAL

DIMENSION (WxHxD)	70x165x110 mm (2.6x6.5x4.3 in)
WEIGHT	1.0 Kg
CHASSIS	SECC steel (galvanized)
MOUNTING TYPE	DIN RAIL mounting *, WALL mounting * FLAT mounting (optional)

ENVIRONMENT

OPERATING TEMPERATURE	0 ~ 50 °C (32 ~ 122 °F)
STORAGE TEMPERATURE	-20 ~ 60 °C (-4 ~ 140 °F)
OPERATING HUMIDITY	10 ~ 95 % @ 40°C (non-condensing)
EMC	CE
SAFETY	CE

* Included in the package

PAB223-FU

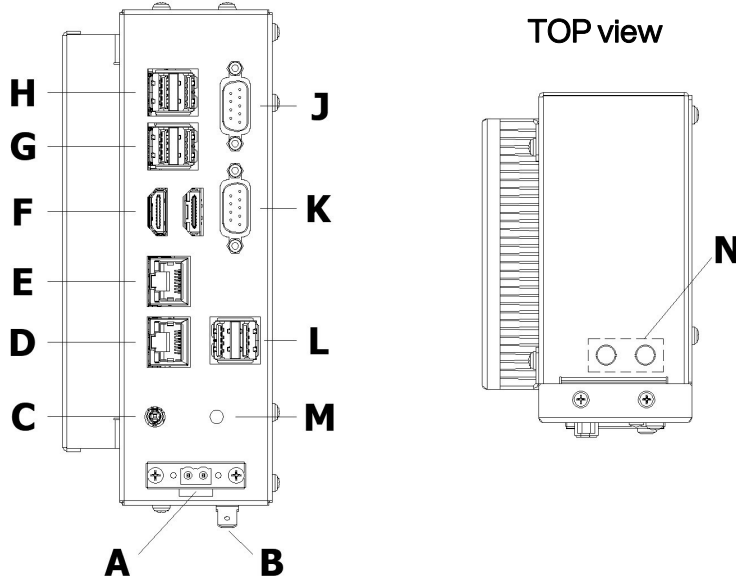
Fanless Industrial Box PC with Intel® Celeron® J6412

FRONT view

TOP view

PAB123 I/O View :

- A - Power connector (24VDC)
- B - Ground connector
- C - Audio output
- D - Gigabit LAN 1
- E - Gigabit LAN 2
- F - 2x HDMI
- G - 2x USB 3.2
- H - 2x USB 2.0
- J - RS-232/422/485 (COM 1)
- K - RS-232/422/485 (COM 2)
- L - 2x USB 2.0
- M - Power led
- N - Wi-fi antenna (optional)

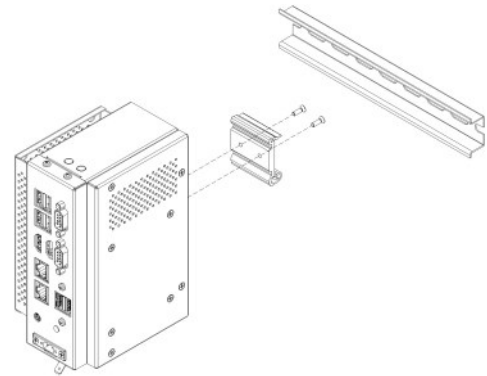
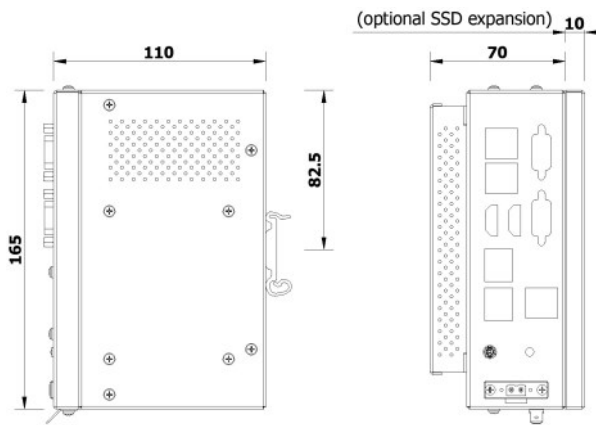


AVAILABLE OPTIONS		CONFIGURATION NUMBER						
		1	2	3	4	5	6	7
WiFi Lan	Wi-Fi Lan ¹	●						
Serial Ports	2x optoisolated serial ports RS-422/485 MiniPCI-Express card ²		●					
Notes								
¹ 1 mt Wi-Fi antenna cable extension available on request								
² Serial ports will be set on the "J" and "K" position instead of COM1 and COM2								

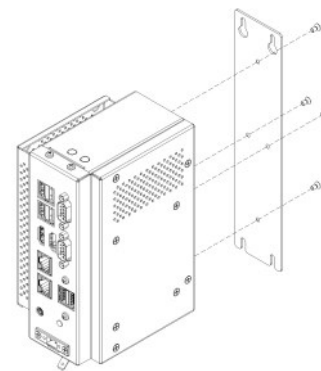
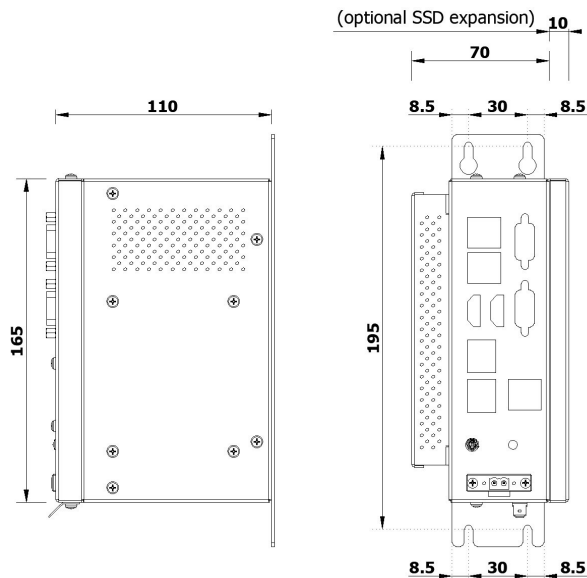
PAB223-FU

Fanless Industrial Box PC with Intel® Celeron® J6412

DIN RAIL mounting (included in the package)



WALL mounting (included in the package)



FLAT mounting (optional NOT included)

