

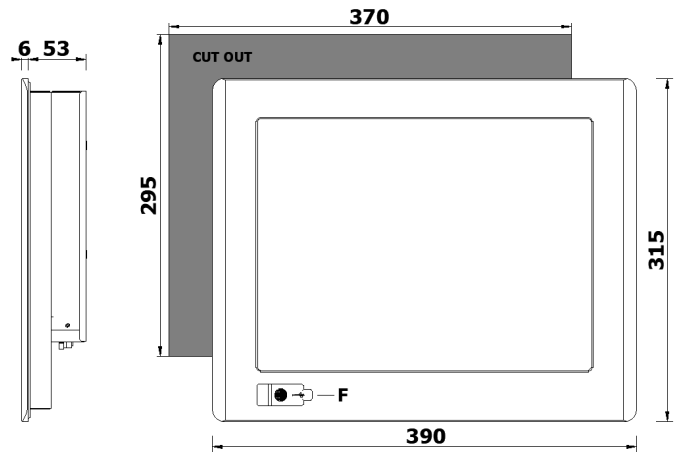
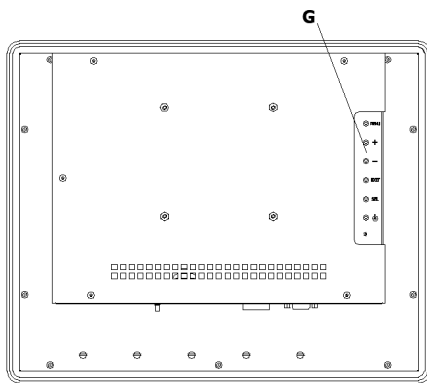
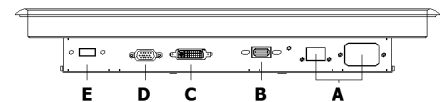
15" Resistive touchscreen monitor



Dimensions - I/O View :

- A - Supply Connector
- B - USB (touch reserved)
- C - DVI-D
- D - VGA
- E - USB 2.0 (frontal port reserved)
- F - USB 2.0 (frontal port)
- G - OSD keyboard

Unit : mm



DISPLAY	
TFT TYPE	15" TFT LCD
MAX RESOLUTION	1024x768
LUMINANCE	300 cd/m ²
CONTRAST RATIO	600 : 1
VIEW ANGLE	80° / 80° / 80° / 80° (L/R/U/D)
MAX COLORS	16.7 Millions
TOUCH TYPE	Five wire resistive

EXTERNAL I/O	
USB PORTS	1x USB 2.0 on front panel
VIDEO INPUT	1x VGA connector, 1x DVI-D connector
SUPPLY CONNECTION	24 VDC terminal block 110-230 VAC standard VDE connector

POWER SYSTEM	
RATED INPUT VOLTAGE	24 VDC 110-230 VAC
INPUT VOLTAGE LIMIT	22-32 VDC 90-264 VAC
POWER CONSUMPTION	15 W

MECHANICAL	
DIMENSION (WxHxD)	390x315x59 mm (15.4x12.4x2.3 in)
WEIGHT	4.0 Kg
FRONT PANEL	Anodized aluminum
CHASSIS	SECC steel (galvanized)
MOUNTING TYPE	Panel mounting with retaining clips or VESA 100

ENVIRONMENT	
OPERATING TEMPERATURE	0 ~ 50 °C (32 ~ 122 °F)
STORAGE TEMPERATURE	-20 ~ 60 °C (-4 ~ 140 °F)
OPERATING HUMIDITY	10 ~ 95 % @ 40°C (non-condensing)
FRONT PANEL PROTECTION	IP66
EMC	CE
SAFETY	CE

15" Resistive touchscreen monitor

FRONTAL PANEL OPTIONAL

Frontal panel graphic customization area for logo¹

¹To go on with the frontal panel customization, we need the vectorial logo and the logo spot on the panel.
Later we will send you a preview to be confirmed.

Unit : mm

