

# PMG315

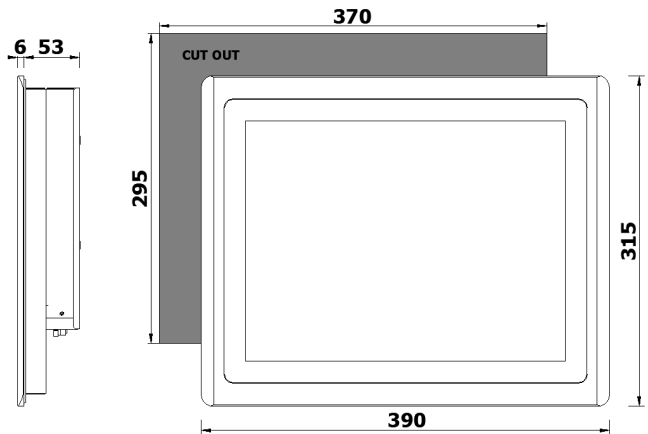
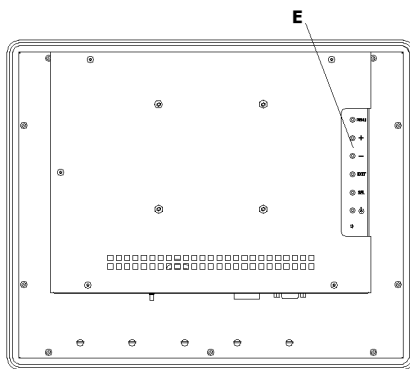
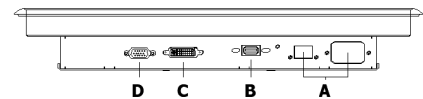
## 15" Multi-touch capacitive touchscreen monitor



### Dimensions - I/O View :

- A - Supply Connector
- B - USB (touch reserved)
- C - DVI-D
- D - VGA
- E - OSD keyboard

Unit : mm



DISPLAY	
TFT TYPE	15" TFT LCD
MAX RESOLUTION	1024x768
LUMINANCE	500 cd/m <sup>2</sup>
CONTRAST RATIO	1500 : 1
VIEW ANGLE	85° / 85° / 85° / 85° (L/R/U/D)
MAX COLORS	16.7 Millions
TOUCH TYPE	Projected capacitive multi-touch control

EXTERNAL I/O	
USB PORTS	N/A
VIDEO INPUT	1x VGA connector, 1x DVI-D connector
SUPPLY CONNECTION	24 VDC terminal block 110-230 VAC standard VDE connector

POWER SYSTEM	
RATED INPUT VOLTAGE	24 VDC 110-230 VAC
INPUT VOLTAGE LIMIT	22-32 VDC 90-264 VAC
POWER CONSUMPTION	15 W

MECHANICAL	
DIMENSION (WxHxD)	390x315x59 mm (15.4x12.4x2.3 in)
WEIGHT	4.0 Kg
FRONT PANEL	Aluminum frontal frame with 3 mm temperate
CHASSIS	SECC steel (galvanized)
MOUNTING TYPE	Panel mounting with retaining clips or VESA 100

ENVIRONMENT	
OPERATING TEMPERATURE	0 ~ 50 °C (32 ~ 122 °F)
STORAGE TEMPERATURE	-20 ~ 60 °C (-4 ~ 140 °F)
OPERATING HUMIDITY	10 ~ 95 % @ 40°C (non-condensing)
FRONT PANEL PROTECTION	IP66
EMC	CE
SAFETY	CE

## 15" Multi-touch capacitive touchscreen monitor

### FRONTAL PANEL OPTIONAL

Frontal panel graphic customization area for logo<sup>1</sup>



<sup>1</sup>To go on with the frontal panel customization, we need the vectorial logo and the logo spot on the panel.  
Later we will send you a preview to be confirmed.

Unit : mm

