

# PAB123-FT



## Fanless Industrial Box PC with Intel® Pentium® N4200



### FEATURES

- Intel® Pentium® N4200
- Dual Gigabit Ethernet
- Dual display support
- Three kinds of mounting : DIN rail, WALL, FLAT
- Wide DC power range 9-36 VDC



### SYSTEM

|             |                                      |
|-------------|--------------------------------------|
| CPU         | Intel® Pentium® N4200, QC, 1.1 GHz   |
| CHIPSET     | Intel® Apollo Lake                   |
| GRAPHICS    | Intel® HD Graphics 505               |
| MEMORY TYPE | 2x DDR3L SO-DIMM 1600 MHz up to 8 GB |
| AUDIO       | Realtek® Audio Codec                 |
| ETHERNET    | 2x 10/100/1000 Mbps Intel® I211AT    |

### STORAGE

|        |  |
|--------|--|
| DEVICE | 1x M.2 SATA (2242)<br>1x 2.5" SSD / HDD (optional) |
|--------|--|

### EXTERNAL I/O

|                   |  |
|-------------------|--|
| SERIAL PORTS      | 1x COM (RS-232/422/485), 1x COM (RS-232) |
| USB PORTS         | 2x USB 3.0, 2x USB 2.0                   |
| AUDIO             | 1x Line-out                              |
| VIDEO OUTPUT      | 1x VGA (2560x1600), 1x HDMI (3840x2160)  |
| LAN               | 2x RJ45 Ethernet ports                   |
| PS2               | N/A                                      |
| SUPPLY CONNECTION | 24 VDC terminal block                    |

### EXPANSION SLOT

|           |                           |
|-----------|---------------------------|
| MINI-PCIE | 1x full size with PCIe x1 |
| M.2       | 1x KeyM (2242) with SATA  |

### OS SUPPORT

|            |   |
|------------|---|
| MICROSOFT® | Windows 10 Enterprise LTSC 2016 (64 bit)        |
| MICROSOFT® | Windows 10 Enterprise LTSC 2019 (64 bit)        |
| MICROSOFT® | Windows 10 Enterprise LTSC 2021 (64 bit)        |
| MICROSOFT® | Windows 10 PRO (64 bit)                         |
| LINUX      | Ubuntu 20.04.1 LTS or newer and further distros |

### POWER SYSTEM

|                     |          |
|---------------------|----------|
| RATED INPUT VOLTAGE | 24 VDC   |
| INPUT VOLTAGE LIMIT | 9-36 VDC |
| POWER CONSUMPTION   | 15 W     |

### MECHANICAL

|                   |  |
|-------------------|--|
| DIMENSION (WxHxD) | 70x165x110 mm (2.6x6.5x4.3 in)                                   |
| WEIGHT            | 2.0 Kg   |
| CHASSIS           | SECC steel (galvanized)  |
| MOUNTING TYPE     | DIN RAIL mounting *, WALL mounting *<br>FLAT mounting (optional) |

### ENVIRONMENT

|                       |                                   |
|-----------------------|-----------------------------------|
| OPERATING TEMPERATURE | 0 ~ 50 °C (32 ~ 122 °F)           |
| STORAGE TEMPERATURE   | -20 ~ 60 °C (-4 ~ 140 °F)         |
| OPERATING HUMIDITY    | 10 ~ 95 % @ 40°C (non-condensing) |
| EMC                   | CE                                |
| SAFETY                | CE                                |

\* Included in the package

# PAB123-FT

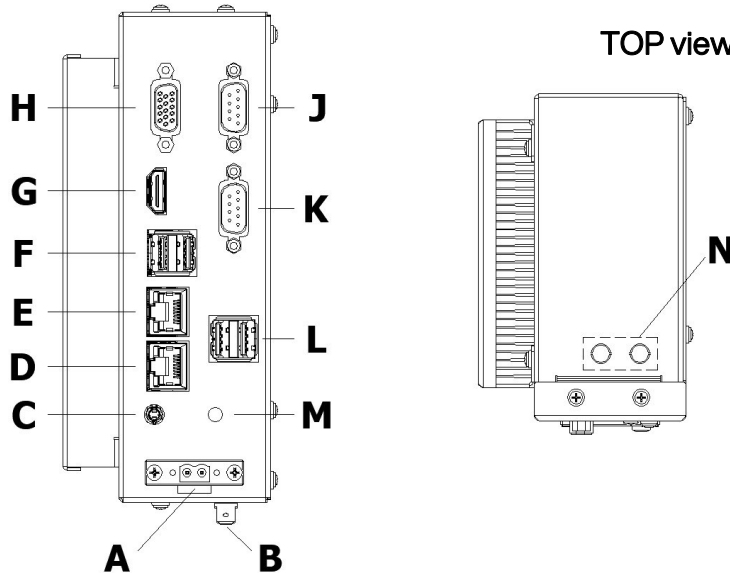
Fanless Industrial Box PC with Intel® Pentium® N4200

FRONT view

TOP view

**PAB123 I/O View :**

- A - Power connector (24VDC)
- B - Ground connector
- C - Audio output
- D - Gigabit LAN 1
- E - Gigabit LAN 2
- F - 2x USB 3.0
- G - HDMI
- H - VGA
- J - RS-232/422/485 (COM 1)
- K - RS-232 (COM 2)
- L - 2x USB 2.0
- M - Power led
- N - Wi-fi antenna (optional)

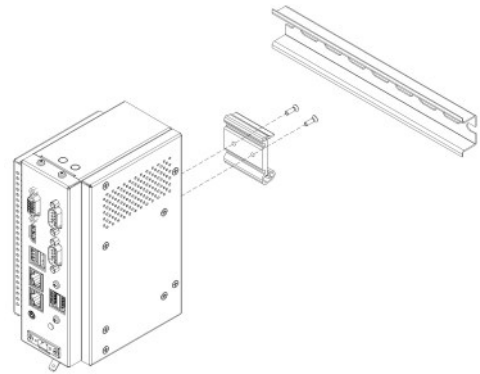
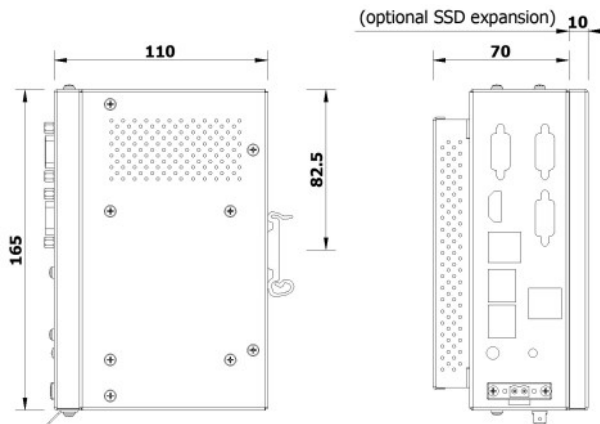


| AVAILABLE OPTIONS   |   | CONFIGURATION NUMBER |   |   |   |   |   |   |
|---|---|----------------------|---|---|---|---|---|---|
|   |   | 1                    | 2 | 3 | 4 | 5 | 6 | 7 |
| <b>WiFi Lan</b>   | Wi-Fi Lan <sup>1</sup>  | ●                    |   |   |   |   |   |   |
| <b>Serial Ports</b>   | 2x optoisolated serial ports RS-422/485 MiniPCI-Express card <sup>2</sup> |                      | ● |   |   |   |   |   |
| Notes   |   |                      |   |   |   |   |   |   |
| <sup>1</sup> 1 mt Wi-Fi antenna cable extension available on request                        |   |                      |   |   |   |   |   |   |
| <sup>2</sup> Serial ports will be set on the "J" and "K" position instead of COM1 and COM2. |   |                      |   |   |   |   |   |   |

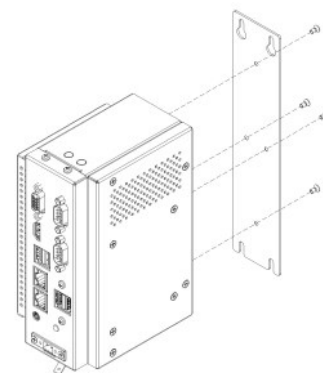
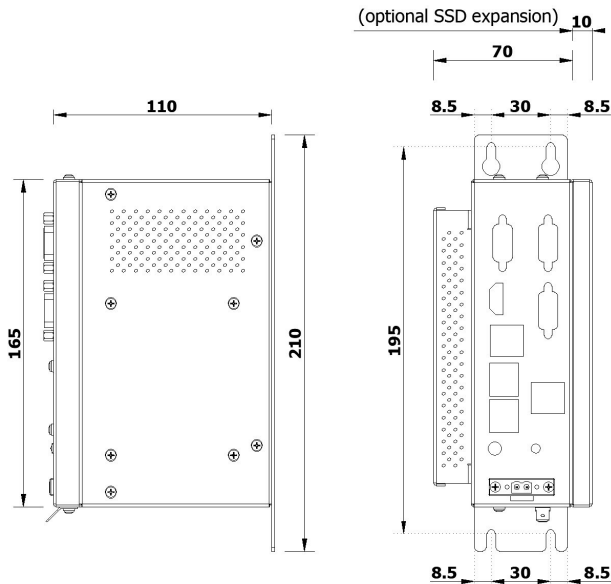
# PAB123-FT

Fanless Industrial Box PC with Intel® Pentium® N4200

## DIN RAIL mounting (included in the package)



## WALL mounting (included in the package)



## FLAT mounting (optional NOT included)

