

# PSR315-EM



Fanless 15" Industrial Panel PC with Intel® N3350 / Intel® N4200



## FEATURES

- Intel® N3350 / Intel® N4200
- 15" 1024x768 LCD display
- Resistive touch
- Front panel, IP66-compliant
- Dual Gigabit Ethernet
- Triple display support
- Standard PCIe x1 expansion slot
- Wide DC power range 9-36 VDC, I/O isolation 2500 VDC
- Wide AC power range 110-230 VAC



## SYSTEM

CPU	Intel® Celeron® N3350, DC, 1.1 GHz Intel® Pentium® N4200, QC, 1.1 GHz
CHIPSET	Intel® Apollo Lake
GRAPHICS	Intel® Gen9 Graphics DX 12
MEMORY TYPE	2x DDR3L SO-DIMM 1866 Mhz up to 16 GB
AUDIO	High Definition Audio
ETHERNET	2x Realtek 8111G 10/100/1000 Mbps

## DISPLAY

TFT TYPE	15" TFT LCD
MAX RESOLUTION	1024x768
LUMINANCE	300 cd/m <sup>2</sup>
CONTRAST RATIO	800 : 1
VIEW ANGLE	80° / 80° / 80° / 80° (L/R/U/D)
MAX COLORS	16.7 Millions
TOUCH TYPE	Five wire resistive

## STORAGE

DEVICE	1x 2.5" SSD / HDD - 1x M.2 SATA (2242/2260)
--------	---

## EXTERNAL I/O

SERIAL PORTS	3x COM (RS-232/422/485)
USB PORTS	4x USB 3.0, 1x USB 2.0 on front panel
AUDIO	1x Line-out, 1x Mic-in
VIDEO OUTPUT	1x VGA (1920x1200), 1x HDMI (4096x2160)
LAN	2x RJ45 Ethernet ports
PS2	2x PS/2 (mouse and keyboard)
SUPPLY CONNECTION	24 VDC terminal block 110-230 VAC standard VDE connector

## EXPANSION SLOT

MINI-PCIE	1x full size with PCIe x1
M.2	1x KeyE (2230) with PCIe x1
PCIe slot	1x PCIe x1 slot (up to 200 mm) power reserved 5W

## OS SUPPORT

MICROSOFT®	Windows 10 Enterprise LTSC 2016 (64 bit)
MICROSOFT®	Windows 10 Enterprise LTSC 2019 (64 bit)
MICROSOFT®	Windows 10 PRO (64 bit)
LINUX	Ubuntu 20.04.1 LTS or newer and further distros

## POWER SYSTEM

RATED INPUT VOLTAGE	24 VDC I/O isolation 2500 VDC 110-230 VAC
INPUT VOLTAGE LIMIT	9-36 VDC 90-264 VAC
POWER CONSUMPTION	28 W

## MECHANICAL

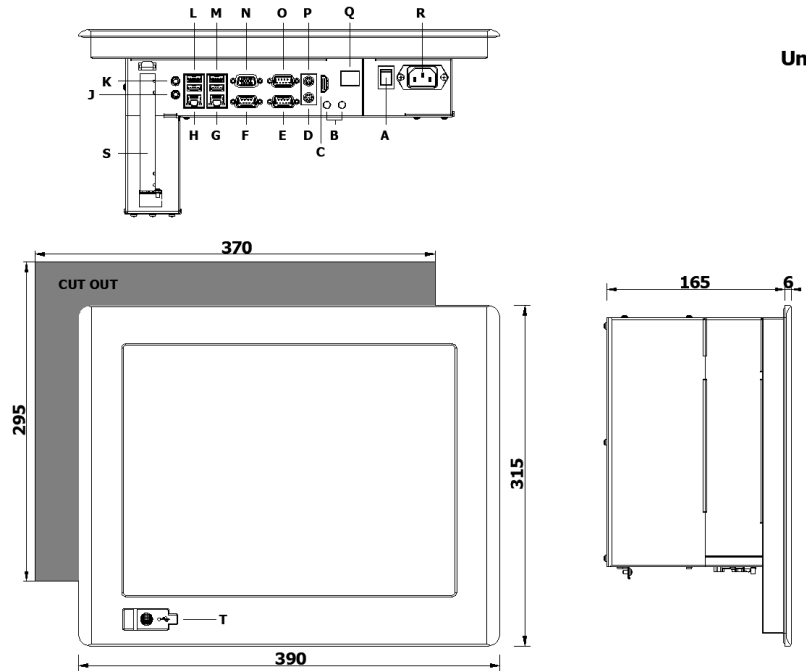
DIMENSION (WxHxD)	390x315x171 mm (15.4x12.4x6.7 in)
WEIGHT	5 Kg
FRONT PANEL	Anodized aluminum
CHASSIS	SECC steel (galvanized)
MOUNTING TYPE	Panel mounting with retaining clips

## ENVIRONMENT

OPERATING TEMPERATURE	0 ~ 50 °C (32 ~ 122 °F)
STORAGE TEMPERATURE	-20 ~ 60 °C (-4 ~ 140 °F)
OPERATING HUMIDITY	10 ~ 95 % @ 40°C (non-condensing)
FRONT PANEL PROTECTION	IP66
EMC	CE
SAFETY	CE

### Dimensions - I/O View :

- A - Power switch
- B - Wi-fi antenna (optional)
- C - HDMI
- D - PS/2 mouse port
- E - RS-232/422/485 (COM 1)
- F - RS-232/422/485 (COM 3)
- G - Gigabit LAN 1
- H - Gigabit LAN 2
- J - Audio output
- K - Mic-in
- L - 2x USB 3.0
- M - 2x USB 3.0
- N - VGA
- O - RS-232/422/485 (COM 2)
- P - PS/2 keyboard port
- Q - Gigabit LAN 3 (optional)
- R - Supply connector
- S - 1x PCIe x1 slot
- T - 1x USB 2.0



AVAILABLE OPTIONS		CONFIGURATION NUMBER						
		1	2	3	4	5	6	7
<b>WIFI Lan</b>	Wi-Fi Lan <sup>1</sup>	●		●				
<b>LAN</b>	1x RJ45 Gigabit Lan MiniPCI-Express card		●	●				
Notes								
<sup>1</sup> 1 mt Wi-Fi antenna cable extension available on request								

# PSR315-EM

Fanless 15" Industrial Panel PC with Intel® N3350 / Intel® N4200

## FRONTAL PANEL OPTIONAL

Frontal panel graphic customization area for logo<sup>1</sup>

<sup>1</sup>To go on with the frontal panel customization, we need the vectorial logo and the logo spot on the panel.  
Later we will send you a preview to be confirmed.

Unit : mm

