

PSG315-EM



Fanless 15" Industrial Panel PC with Intel® N3350 / Intel® N4200



FEATURES

- Intel® N3350 / Intel® N4200
- 15" 1024x768 LCD display
- Projected capacitive multi-touch control
- Flat frontal panel, IP66-compliant
- Dual Gigabit Ethernet
- Triple display support
- Standard PCIe x1 expansion slot
- Wide DC power range 9-36 VDC, I/O isolation 2500 VDC
- Wide AC power range 110-230 VAC



SYSTEM

| | |
|-------------|--------------------------------------------------------------------------|
| CPU | Intel® Celeron® N3350, DC, 1.1 GHz Intel® Pentium® N4200, QC, 1.1 GHz |
| CHIPSET | Intel® Apollo Lake |
| GRAPHICS | Intel® Gen9 Graphics DX 12 |
| MEMORY TYPE | 2x DDR3L SO-DIMM 1866 Mhz up to 16 GB |
| AUDIO | High Definition Audio |
| ETHERNET | 2x Realtek 8111G 10/100/1000 Mbps |

DISPLAY

| | |
|----------------|------------------------------------------|
| TFT TYPE | 15" TFT LCD |
| MAX RESOLUTION | 1024x768 |
| LUMINANCE | 500 cd/m ² |
| CONTRAST RATIO | 1500 : 1 |
| VIEW ANGLE | 85° / 85° / 85° / 85° (L/R/U/D) |
| MAX COLORS | 16.7 Millions |
| TOUCH TYPE | Projected capacitive multi-touch control |

STORAGE

| | |
|--------|---------------------------------------------|
| DEVICE | 1x 2.5" SSD / HDD - 1x M.2 SATA (2242/2260) |
|--------|---------------------------------------------|

EXTERNAL I/O

| | |
|-------------------|-------------------------------------------------------------|
| SERIAL PORTS | 3x COM (RS-232/422/485) |
| USB PORTS | 4x USB 3.0 |
| AUDIO | 1x Line-out, 1x Mic-in |
| VIDEO OUTPUT | 1x VGA (1920x1080), 1x HDMI (4096x2160) |
| LAN | 2x RJ45 Ethernet ports |
| PS2 | 2x PS/2 (mouse and keyboard) |
| SUPPLY CONNECTION | 24 VDC terminal block 110-230 VAC standard VDE connector |

EXPANSION SLOT

| | |
|-----------|--------------------------------------------------|
| MINI-PCIE | 1x full size with PCIe x1 |
| M.2 | 1x KeyE (2230) with PCIe x1 |
| PCIe slot | 1x PCIe x1 slot (up to 200 mm) power reserved 5W |

OS SUPPORT

| | |
|------------|-------------------------------------------------|
| MICROSOFT® | Windows 10 Enterprise LTSC 2016 (64 bit) |
| MICROSOFT® | Windows 10 Enterprise LTSC 2019 (64 bit) |
| MICROSOFT® | Windows 10 PRO (64 bit) |
| LINUX | Ubuntu 20.04.1 LTS or newer and further distros |

POWER SYSTEM

| | |
|---------------------|----------------------------------------------|
| RATED INPUT VOLTAGE | 24 VDC I/O isolation 2500 VDC 110-230 VAC |
| INPUT VOLTAGE LIMIT | 9-36 VDC 90-264 VAC |
| POWER CONSUMPTION | 28 W |

MECHANICAL

| | |
|-------------------|--------------------------------------------------|
| DIMENSION (WxHxD) | 390x315x171 mm (15.4x12.4x6.7 in) |
| WEIGHT | 5 Kg |
| FRONT PANEL | Aluminum frontal frame with 3 mm temperate glass |
| CHASSIS | SECC steel (galvanized) |
| MOUNTING TYPE | Panel mounting with retaining clips |

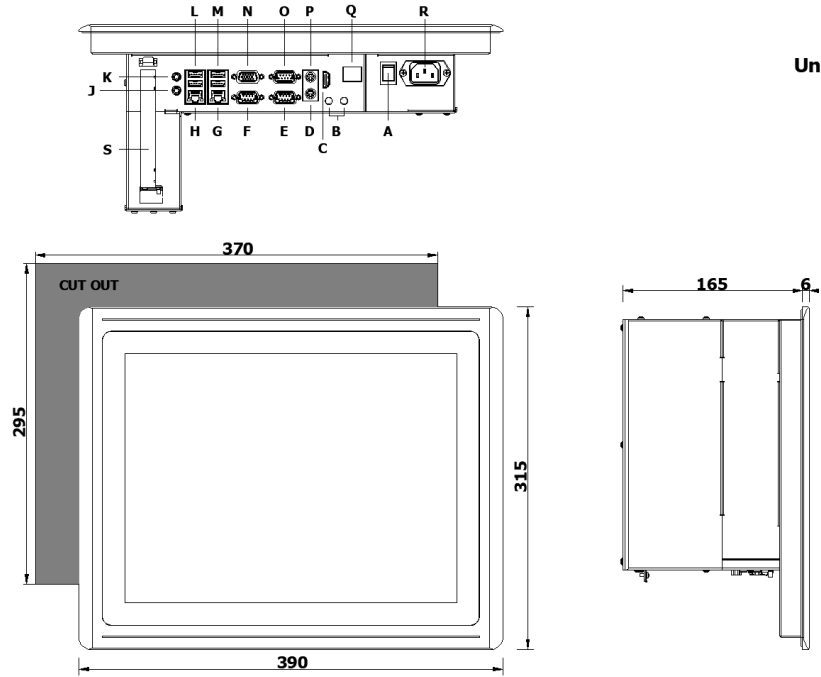
ENVIRONMENT

| | |
|------------------------|------------------------------------|
| OPERATING TEMPERATURE | 0 ~ 50 °C (32 ~ 122 °F) |
| STORAGE TEMPERATURE | -20 ~ 60 °C (-4 ~ 140 °F) |
| OPERATING HUMIDITY | 10 ~ 95 % @ 40 °C (non-condensing) |
| FRONT PANEL PROTECTION | IP66 |
| EMC | CE |
| SAFETY | CE |

Fanless 15" Industrial Panel PC with Intel® N3350 / Intel® N4200

Dimensions - I/O View :

- A - Power switch
- B - Wi-fi antenna (optional)
- C - HDMI
- D - PS/2 mouse port
- E - RS-232/422/485 (COM 1)
- F - RS-232/422/485 (COM 3)
- G - Gigabit LAN 1
- H - Gigabit LAN 2
- J - Audio output
- K - Mic-in
- L - 2x USB 3.0
- M - 2x USB 3.0
- N - VGA
- O - RS-232/422/485 (COM 2)
- P - PS/2 keyboard port
- Q - Gigabit LAN 3 (optional)
- R - Supply connector
- S - 1x PCIe x1 slot



| AVAILABLE OPTIONS | | CONFIGURATION NUMBER | | | | | | |
|----------------------------------------------------------------------|------------------------------------------|----------------------|---|---|---|---|---|---|
| | | 1 | 2 | 3 | 4 | 5 | 6 | 7 |
| WIFI Lan | Wi-Fi Lan ¹ | ● | | ● | | | | |
| LAN | 1x RJ45 Gigabit Lan MiniPCI-Express card | | ● | ● | | | | |
| Notes | | | | | | | | |
| ¹ 1 mt Wi-Fi antenna cable extension available on request | | | | | | | | |

PSG315-EM

Fanless 15" Industrial Panel PC with Intel® N3350 / Intel® N4200

FRONTAL PANEL OPTIONAL

Frontal panel graphic customization area for logo¹



¹To go on with the frontal panel customization, we need the vectorial logo and the logo spot on the panel.
Later we will send you a preview to be confirmed.

Unit : mm

