



FEATURES

- Intel® Celeron J1900
- 12.1" 800x600 / 1024x768 LCD display
- Projected capacitive multi-touch control
- Flat frontal panel, IP66-compliant
- Dual Gigabit Ethernet
- Dual display support
- Wide DC power range 9-36 VDC
- Wide AC power range 110-230 VAC



SYSTEM

CPU	Intel® Celeron® J1900, QC, 2.0 GHz
CHIPSET	Intel® Baytrail
GRAPHICS	Intel® Gen7 Graphics DX 11, OGL 3.2
MEMORY TYPE	1x DDR3L SO-DIMM 1600 MHz max 8 GB
AUDIO	High Definition Audio
ETHERNET	2x Realtek 8111G 10/100/1000 Mbps

DISPLAY

TFT TYPE	12.1" TFT LCD
MAX RESOLUTION	800x600 or 1024x768
LUMINANCE	450 cd/m ² or 500 cd/m ²
CONTRAST RATIO	700 : 1
VIEW ANGLE	80° / 80° / 65° / 75° or 80° / 80° / 80° / 80° (L/R/U/D)
MAX COLORS	16.7 Millions
TOUCH TYPE	Projected capacitive multi-touch control

STORAGE

DEVICE	2x 2.5" SSD / HDD
--------	-------------------

EXTERNAL I/O

SERIAL PORTS	1x COM (RS-232/422/485), 3x COM (RS-232)
USB PORTS	2x USB 3.0, 2x USB 2.0
AUDIO	1x Line-Out
VIDEO OUTPUT	1x VGA (1920x1200), 1x HDMI (1920x1200)
LAN	2x RJ45 Ethernet ports
PS2	N/A
SUPPLY CONNECTION	24 VDC terminal block 110-230 VAC standard VDE connector

EXPANSION SLOT

MINI-PCIE	1x half size with PCIe x1
mSATA/Mini-PCie	1x full size shared with mSATA (SATA2)

OS SUPPORT

MICROSOFT®	Windows Seven SP1 (32 / 64 bit)
MICROSOFT®	Windows Seven Embedded Standard (32 / 64 bit)
MICROSOFT®	Windows 10 Enterprise LTSB 2016 (32 / 64 bit)
MICROSOFT®	Windows 10 Enterprise LTSC 2019 (32 / 64 bit)
MICROSOFT®	Windows 10 PRO (32 / 64 bit)
LINUX	Ubuntu 20.04.1 LTS or newer and further distros

POWER SYSTEM

RATED INPUT VOLTAGE	24 VDC - 110-230 VAC
INPUT VOLTAGE LIMIT	9-36 VDC - 90-264 VAC
POWER CONSUMPTION	32 W

MECHANICAL

DIMENSION (WxHxD)	335x270x95 mm (13.2x10.6x3.7 in)
WEIGHT	4.5 Kg
FRONT PANEL	Aluminum frontal frame with 3 mm temperate glass
CHASSIS	SECC steel (galvanized)
MOUNTING TYPE	Panel mounting with retaining clips

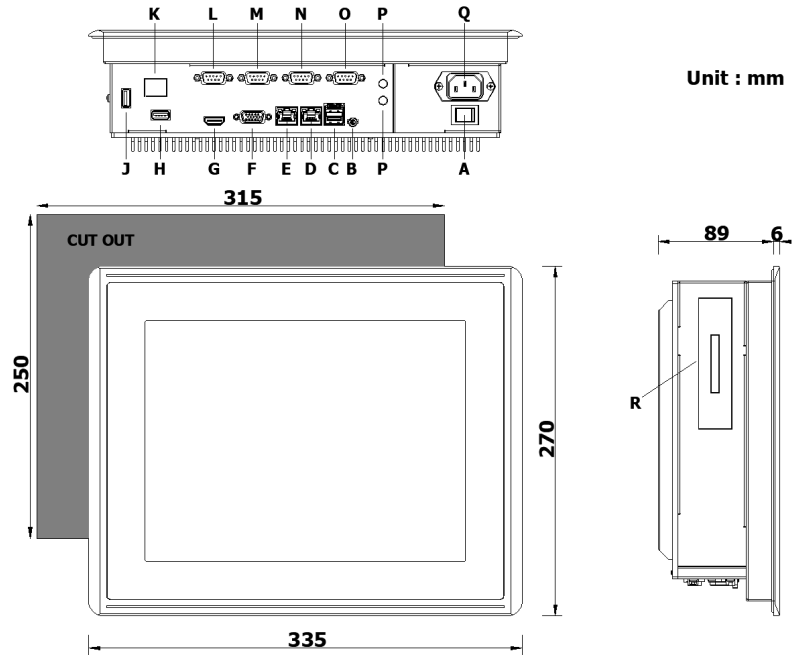
ENVIRONMENT

OPERATING TEMPERATURE	0 ~ 50 °C (32 ~ 122 °F)
STORAGE TEMPERATURE	-20 ~ 60 °C (-4 ~ 140 °F)
OPERATING HUMIDITY	10 ~ 95 % @ 40°C (non-condensing)
FRONT PANEL PROTECTION	IP66
EMC	CE
SAFETY	CE

Fanless 12.1" Industrial Panel PC with Intel® Celeron J1900

Dimensions - I/O View :

- A - Power switch
- B - Audio output
- C - 2x USB 3.0
- D - Gigabit LAN 2
- E - Gigabit LAN 1
- F - VGA
- G - HDMI
- H - USB 2.0
- J - USB 2.0
- K - Gigabit LAN 3 (optional)
- L - RS-232 (COM 4)
- M - RS-232 (COM 3)
- N - RS-232 (COM 2)
- O - RS-232/422/485 (COM 1)
- P - Wi-fi antenna (optional)
- Q - Supply connector
- R - Removable HDD / SSD (optional)



AVAILABLE OPTIONS		CONFIGURATION NUMBER						
		1	2	3	4	5	6	7
WiFi Lan	Wi-Fi Lan ¹	●			●	●		
LAN	1x RJ45 Gigabit Lan MiniPCI-Express card		●		●			
Serial Ports	2x optoisolated serial ports RS-422/485 MiniPCI-Express card ²			●		●		
Notes								
¹ 1 mt Wi-Fi antenna cable extension available on request								
² Serial port will be set on the "M-L" position instead of RS232 COM3-COM4								

FRONTAL PANEL OPTIONAL

Frontal panel graphic customization area for logo¹



¹To go on with the frontal panel customization, we need the vectorial logo and the logo spot on the panel.
Later we will send you a preview to be confirmed.

Unit : mm

