

# PSR108-FM



## Fanless 8" Industrial Panel PC with Intel® Celeron J1900



### FEATURES

- Intel® Celeron J1900
- 8" 800x600 LCD display
- Resistive touch
- Front panel, IP66-compliant
- Dual Gigabit Ethernet
- Dual display support
- Wide DC power range 9-36 VDC



### SYSTEM

CPU	Intel® Celeron® J1900, QC, 2.0 GHz
CHIPSET	Intel® Baytrail
GRAPHICS	Intel® Gen7 Graphics DX 11, OGL 3.2
MEMORY TYPE	1x DDR3L SO-DIMM 1600 MHz max 8 GB
AUDIO	High Definition Audio
ETHERNET	2x Realtek 8111G 10/100/1000 Mbps

### DISPLAY

TFT TYPE	8" TFT LCD
MAX RESOLUTION	800x600
LUMINANCE	250 cd/m <sup>2</sup>
CONTRAST RATIO	500 : 1
VIEW ANGLE	70°/ 70°/ 50°/ 70° (L/R/U/D)
MAX COLORS	262.000
TOUCH TYPE	Five wire resistive

### STORAGE

DEVICE	1x 2.5" SSD / HDD
--------	-------------------

### EXTERNAL I/O

SERIAL PORTS	1x COM (RS-232/422/485), 1x COM (RS-232)
USB PORTS	2x USB 3.0, 2x USB 2.0
AUDIO	1x Line-Out
VIDEO OUTPUT	1x VGA (1920x1200), 1x HDMI (1920x1200)
LAN	2x RJ45 Ethernet ports
PS2	N/A
SUPPLY CONNECTION	24 VDC terminal block

### EXPANSION SLOT

MINI-PCIE	1x half size with PCIe x1
MINI-PCIE / MSATA	1x full size shared with mSATA (SATA2)

### OS SUPPORT

MICROSOFT®	Windows Seven SP1 (32 / 64 bit)
MICROSOFT®	Windows Seven Embedded Standard (32 / 64 bit)
MICROSOFT®	Windows 10 Enterprise LTSC 2016 (32 / 64 bit)
MICROSOFT®	Windows 10 Enterprise LTSC 2019 (32 / 64 bit)
MICROSOFT®	Windows 10 PRO (32 / 64 bit)
LINUX	Ubuntu 20.04.1 LTS or newer and further distros

### POWER SYSTEM

RATED INPUT VOLTAGE	24 VDC
INPUT VOLTAGE LIMIT	9-36 VDC
POWER CONSUMPTION	27 W

### MECHANICAL

DIMENSION (WxHxD)	240x200x69 mm (9.5x7.9x2.7 in)
WEIGHT	3.5 Kg
FRONT PANEL	Anodized aluminum
CHASSIS	SECC steel (galvanized)
MOUNTING TYPE	Panel mounting with retaining clips

### ENVIRONMENT

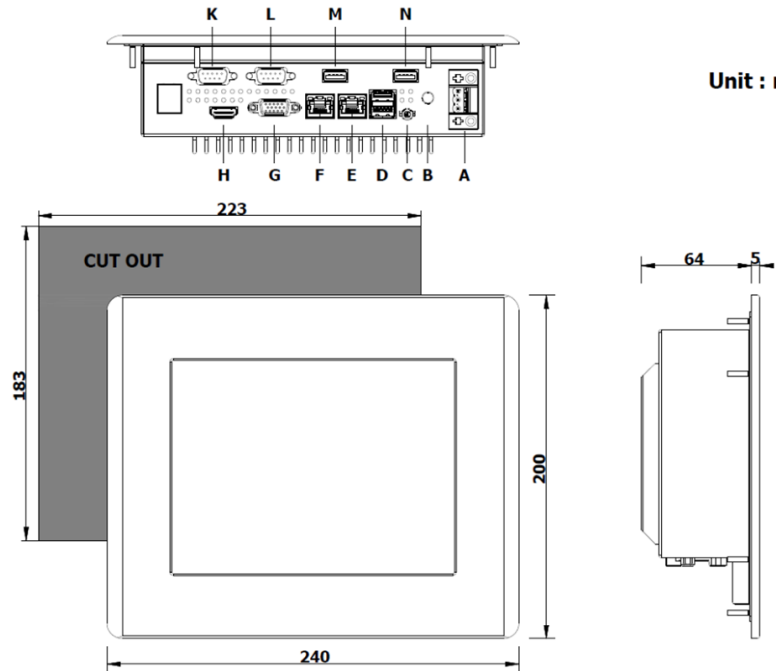
OPERATING TEMPERATURE	0 ~ 50 °C (32 ~ 122 °F)
STORAGE TEMPERATURE	-20 ~ 60 °C (-4 ~ 140 °F)
OPERATING HUMIDITY	10 ~ 95 % @ 40°C (non-condensing)
FRONT PANEL PROTECTION	IP66
EMC	CE
SAFETY	CE

# PSR108-FM

## Fanless 8" Industrial Panel PC with Intel® Celeron J1900

### Dimensions - I/O View :

- A - Supply connector
- B - Wi-fi antenna (optional)
- C - Audio output
- D - 2x USB 3.0
- E - Gigabit LAN 1
- F - Gigabit LAN 2
- G - VGA
- H - HDMI
- K - RS-232 (COM 2)
- L - RS-232/422/485 (COM 1)
- M - 1x USB 2.0
- N - 1x USB 2.0



AVAILABLE OPTIONS		CONFIGURATION NUMBER						
		1	2	3	4	5	6	7
<b>WiFi Lan</b>	Wi-Fi Lan <sup>1</sup>	●						
<b>Serial Ports</b>	2x optoisolated serial ports RS-422/485 MiniPCI-Express card <sup>2</sup>		●					
Notes								
11 mt Wi-Fi antenna cable extension available on request								
<sup>2</sup> Serial ports will be set on the "K-L" position instead of RS232/422/485 COM1 or RS232 COM2								

# PSR108-FM

Fanless 8" Industrial Panel PC with Intel® Celeron J1900

## FRONTAL PANEL OPTIONAL

Frontal panel graphic customization area for logo<sup>1</sup>



<sup>1</sup>To go on with the frontal panel customization, we need the vectorial logo and the logo spot on the panel. Later we will send you a preview to be confirmed.

Unit : mm

