

PSR315-EP



Fanless 15" Industrial Panel PC with Intel® Core™ i3-7100T / i5-7500T / i7-7700T



FEATURES

- Intel® Core™ i3-7100T / i5-7500T / i7-7700T
- 15" 1024x768 LCD display
- Resistive touch
- Front panel, IP66-compliant
- Dual display support
- Triple display support
- Standard PCIe x4 expansion slot
- Wide DC power range 9-29 VDC
- Wide AC power range 110-230 VAC



SYSTEM

CPU	Intel® Core™ i3-7100T Intel® Core™ i5-7500T Intel® Core™ i7-7700T
CHIPSET	Intel® Kaby Lake
GRAPHICS	Intel® Gen9 Graphics DX 11/12
MEMORY TYPE	2x DDR4 SO-DIMM 2133 MHz max 32 GB
AUDIO	High Definition Audio
ETHERNET	1x 10/100/1000 Mbps Intel® I210 1x 10/100/1000 Mbps Intel® I219V

DISPLAY

TFT TYPE	15" TFT LCD
MAX RESOLUTION	1024x768
LUMINANCE	300 cd/m ²
CONTRAST RATIO	800 : 1
VIEW ANGLE	80° / 80° / 80° / 80° (L/R/U/D)
MAX COLORS	16.7 Millions
TOUCH TYPE	Five wire resistive

STORAGE

DEVICE	2x 2.5" SSD / HDD
--------	-------------------

EXTERNAL I/O

SERIAL PORTS	2x COM (RS-232/422/485), 1x COM (RS-232)
USB PORTS	4x USB 3.0, 1x USB 2.0, 1x USB 2.0 on front panel
AUDIO	1x Line-Out, 1x Mic In
VIDEO OUTPUT	2x HDMI (4096x2160)
LAN	2x RJ45 Ethernet ports
PS2	N/A
SUPPLY CONNECTION	24 VDC terminal block 110-230 VAC standard VDE connector

EXPANSION SLOT

MINI-PCIE	1x half size with PCIe x1
mSATA	1x full size mSATA (shared with SATA3)
PCIe slot	1x PCIe x4 slot (up to 200 mm) power reserved 5W

OS SUPPORT

MICROSOFT®	Windows 10 Enterprise LTSB 2016 (64 bit)
MICROSOFT®	Windows 10 Enterprise LTSC 2019 (64 bit)
MICROSOFT®	Windows 10 PRO (64 bit)
LINUX	Ubuntu 20.04.1 LTS or newer and further distros

POWER SYSTEM

RATED INPUT VOLTAGE	24 VDC 110-230 VAC
INPUT VOLTAGE LIMIT	9-29 VDC 90-264 VAC
POWER CONSUMPTION	70 W (typical consumption)

MECHANICAL

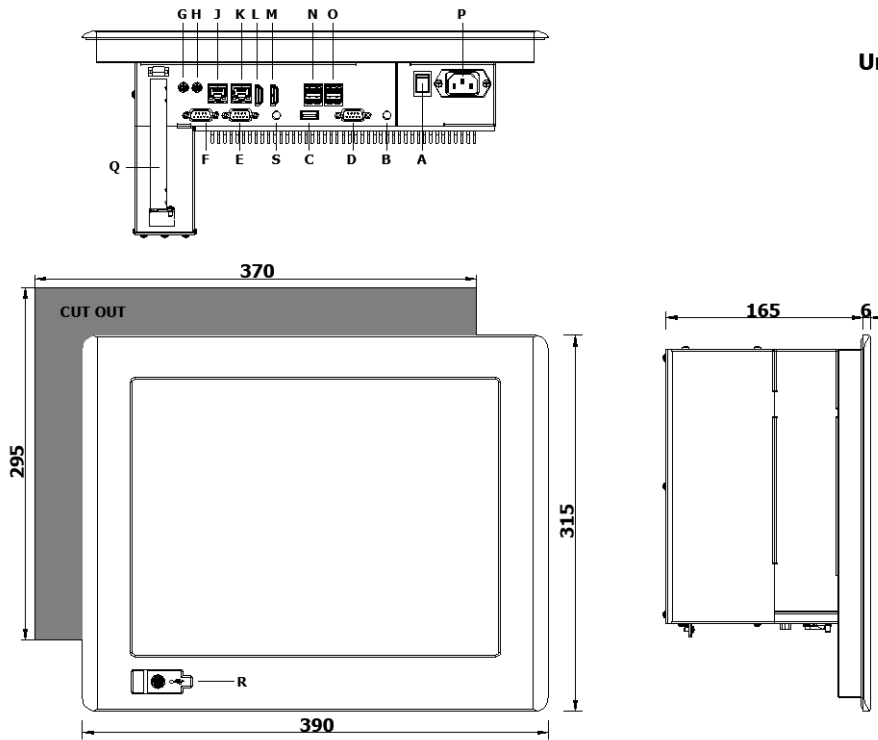
DIMENSION (WxHxD)	390x315x171 mm (15.4x12.4x6.7 in)
WEIGHT	7 Kg
FRONT PANEL	Anodized aluminum
CHASSIS	SECC steel (galvanized)
MOUNTING TYPE	Panel mounting with retaining clips

ENVIRONMENT

OPERATING TEMPERATURE	0 ~ 50 °C (32 ~ 122 °F) 0 ~ 45 °C (32 ~ 113 °F) only for i7
STORAGE TEMPERATURE	-20 ~ 60 °C (-4 ~ 140 °F)
OPERATING HUMIDITY	10 ~ 95 % @ 40°C (non-condensing)
FRONT PANEL PROTECTION	IP66
EMC	CE
SAFETY	CE

Dimensions - I/O View :

- A - Power switch
- B - Wi-fi antenna (optional)
- C - 1x USB 2.0
- D - RS-232/422/485 (COM 1)
- E - RS-232/422/485 (COM 2)
- F - RS-232 (COM 3)
- G - Audio output
- H - Mic-in
- J - Gigabit LAN 2
- K - Gigabit LAN 1
- L - HDMI 1
- M - HDMI 2
- N - 2x USB 3.0
- O - 2x USB 3.0
- P - Supply connector
- Q - 1x PCIe x4 slot
- R - 1x USB 2.0
- S - Wi-fi antenna (optional)



Unit : mm

AVAILABLE OPTIONS		CONFIGURATION NUMBER						
		1	2	3	4	5	6	7
WiFi Lan	Wi-Fi Lan ¹	●						
Notes								
*1 mt Wi-Fi antenna cable extension available on request								

PSR315-EP

Fanless 15" Industrial Panel PC with Intel® Core™ i3-7100T / i5-7500T / i7-7700T

FRONTAL PANEL OPTIONAL

Frontal panel graphic customization area for logo¹

¹To go on with the frontal panel customization, we need the vectorial logo and the logo spot on the panel.
Later we will send you a preview to be confirmed.

Unit : mm

