

# PVR015-EM



Fanless 15" Industrial VESA PC with Intel® N3350 / Intel® N4200



## FEATURES

- Intel® N3350 / Intel® N4200
- 15" 1024x768 LCD display
- Resistive touch
- Front panel, IP66-compliant
- Dual Gigabit Ethernet
- Triple display support
- Wide DC power range 9-36 VDC, I/O isolation 2500 VDC
- Wide AC power range 110-230 VAC



## SYSTEM

CPU	Intel® Celeron® N3350, DC, 1.1 GHz Intel® Pentium® N4200, QC, 1.1 GHz
CHIPSET	Intel® Apollo Lake
GRAPHICS	Intel® Gen9 Graphics DX 12
MEMORY TYPE	2x DDR3L SO-DIMM 1866 Mhz up to 16 GB
AUDIO	High Definition Audio
ETHERNET	2x Realtek 8111G 10/100/1000 Mbps

## DISPLAY

TFT TYPE	15" TFT LCD
MAX RESOLUTION	1024x768
LUMINANCE	250 cd/m <sup>2</sup>
CONTRAST RATIO	600 : 1
VIEW ANGLE	80° / 80° / 80° / 80° (L/R/U/D)
MAX COLORS	16.7 Millions
TOUCH TYPE	Five wire resistive

## STORAGE

DEVICE	1x 2.5" SSD / HDD - 1x M.2 SATA (2242/2260)
--------	---

## EXTERNAL I/O

SERIAL PORTS	3x COM (RS-232/422/485),
USB PORTS	4x USB 3.0, 2x USB 2.0
AUDIO	1x Line-out, 1x Mic-in
VIDEO OUTPUT	1x VGA (1920x1200), 1x HDMI (4096x2160)
LAN	2x RJ45 Ethernet ports
PS2	2x PS/2 (mouse and keyboard)
SUPPLY CONNECTION	24 VDC terminal block 110-230 VAC standard VDE connector

## EXPANSION SLOT

MINI-PCIE	1x full size with PCIe x1
M.2	1x KeyE (2230) with PCIe x1

## OS SUPPORT

MICROSOFT®	Windows 10 Enterprise LTSB 2016 ( 64 bit)
MICROSOFT®	Windows 10 Enterprise LTSC 2019 ( 64 bit)
MICROSOFT®	Windows 10 PRO ( 64 bit)
LINUX	Ubuntu 20.04.1 LTS or newer and further distros

## POWER SYSTEM

RATED INPUT VOLTAGE	24 VDC I/O isolation 2500 VDC 110-230 VAC
INPUT VOLTAGE LIMIT	9-36 VDC 90-264 VAC
POWER CONSUMPTION	28 W

## MECHANICAL

DIMENSION (WxHxD)	355x280x66 mm (14x11x2.6 in)
WEIGHT	4.5 Kg
FRONT PANEL	Anodized aluminum
CHASSIS	Black painted steel
MOUNTING TYPE	VESA mount 100

## ENVIRONMENT

OPERATING TEMPERATURE	0 ~ 50 °C (32 ~ 122 °F)
STORAGE TEMPERATURE	-20 ~ 60 °C (-4 ~ 140 °F)
OPERATING HUMIDITY	10 ~ 95 % @ 40°C (non-condensing)
FRONT PANEL PROTECTION	IP66
EMC	CE
SAFETY	CE

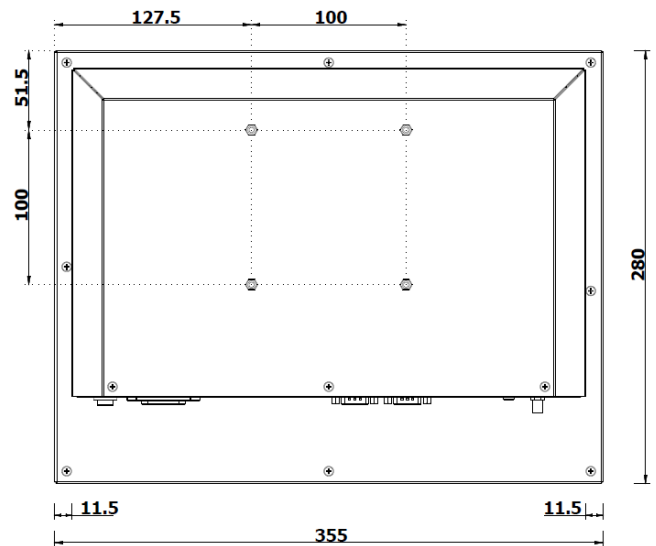
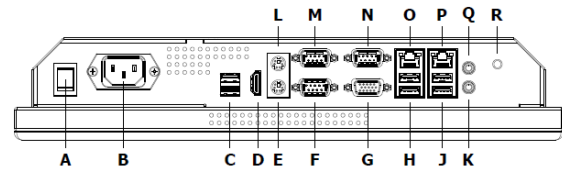
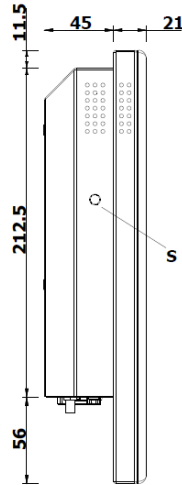
# PVR015-EM

Fanless 15" Industrial VESA PC with Intel® N3350 / Intel® N4200

## Dimensions - I/O View :

- A - Power switch
- B - Supply connector
- C - 2x USB 2.0
- D - HDMI
- E - PS/2 keyboard port
- F - RS-232/422/485 (COM 2)
- G - VGA
- H - 2x USB 3.0
- J - 2x USB 3.0
- K - Mic-in
- L - PS/2 mouse port
- M - RS-232/422/485 (COM 1)
- N - RS-232/422/485 (COM 3)
- O - Gigabit LAN 1
- P - Gigabit LAN 2
- Q - Audio output
- R - Wi-fi antenna (optional)
- S - Wi-fi antenna (optional)

Unit : mm



AVAILABLE OPTIONS		CONFIGURATION NUMBER						
		1	2	3	4	5	6	7
<b>WiFi Lan</b>	Wi-Fi Lan <sup>1</sup>	●		●				
<b>RAID</b>	RAID module MiniPCI-Express card		●	●				
Notes								
11 mt Wi-Fi antenna cable extension available on request								

# PVR015-EM

Fanless 15" Industrial VESA PC with Intel® N3350 / Intel® N4200

## FRONTAL PANEL OPTIONAL

Frontal panel graphic customization area for logo<sup>1</sup>



<sup>1</sup>To go on with the frontal panel customization, we need the vectorial logo and the logo spot on the panel.  
Later we will send you a preview to be confirmed.

Unit : mm

