

# PSR312-EK



Fanless 12.1" Industrial Panel PC with VIA Eden® X4



## FEATURES

- VIA Eden® X4 processor
- 12.1" 800x600 / 1024x768 LCD display
- Resistive touch
- Front panel, IP66-compliant
- Dual Gigabit Ethernet
- Dual display support
- Standard PCI expansion slot
- Wide DC power range 9-29 VDC



## SYSTEM

CPU	VIA Eden® X4 1.2 Ghz
CHIPSET	VIA VX900 Media System Processor
GRAPHICS	Integrated VIA Chrome™ 9 HD DX9
MEMORY TYPE	1x DDR3 DIMM 1600 MHz up to 4 GB
AUDIO	VIA VT1708S HD audio
ETHERNET	2x VIA VT6130 PCIe Gigabit Ethernet

## DISPLAY

TFT TYPE	12.1" TFT LCD
MAX RESOLUTION	800x600 or 1024x768
LUMINANCE	450 cd/m <sup>2</sup> or 500 cd/m <sup>2</sup>
CONTRAST RATIO	700 : 1
VIEW ANGLE	80° / 80° / 65° / 75° or 80° / 80° / 80° / 80° (L/R/U/D)
MAX COLORS	16.7 Millions
TOUCH TYPE	Five wire resistive

## STORAGE

DEVICE	2x 2.5" SSD / HDD
--------	-------------------

## EXTERNAL I/O

SERIAL PORTS	1x COM (RS-232)
USB PORTS	4x USB 2.0, 1x USB 2.0 on front panel
AUDIO	1x Line-Out, 1x Mic-in, 1x Line-in
VIDEO OUTPUT	1x VGA
LAN	2x RJ45 Ethernet ports
PS2	2x PS/2 (mouse and keyboard)
SUPPLY CONNECTION	24 VDC terminal block

## EXPANSION SLOT

PCI slot	1x PCI slot (up to 200 mm), power reserved 5 W
----------	--

## OS SUPPORT

MICROSOFT®	DOS
MICROSOFT®	Windows XP Professional SP2 (32 bit)
MICROSOFT®	Windows XP Embedded SP2 (32 bit)
MICROSOFT®	Windows XP Professional SP3 (32 bit)
MICROSOFT®	Windows XP Embedded SP3 (32 bit)
MICROSOFT®	Windows Seven SP1 (32 bit)
MICROSOFT®	Windows Seven Embedded Standard (32 bit)

## POWER SYSTEM

RATED INPUT VOLTAGE	24 VDC
INPUT VOLTAGE LIMIT	9-29 VDC
POWER CONSUMPTION	32 W

## MECHANICAL

DIMENSION (WxHxD)	335x270x171 mm (13.2x10.6x6.7 in)
WEIGHT	4 Kg
FRONT PANEL	Anodized aluminum
CHASSIS	SECC steel (galvanized)
MOUNTING TYPE	Panel mounting with retaining clips

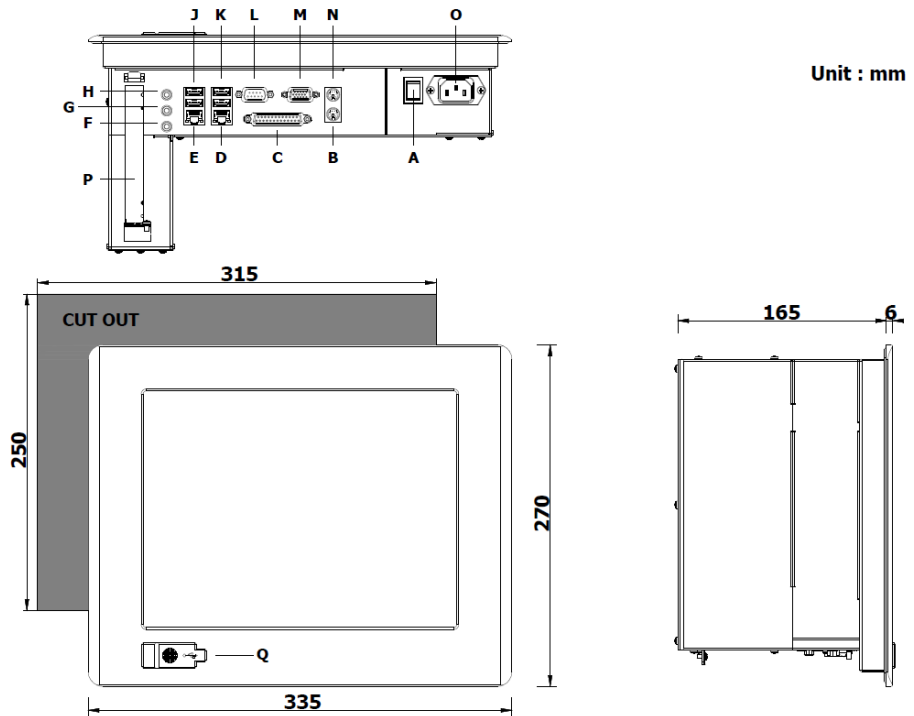
## ENVIRONMENT

OPERATING TEMPERATURE	0 ~ 50 °C (32 ~ 122 °F)
STORAGE TEMPERATURE	-20 ~ 60 °C (-4 ~ 140 °F)
OPERATING HUMIDITY	10 ~ 95 % @ 40°C (non-condensing)
FRONT PANEL PROTECTION	IP66
EMC	CE
SAFETY	CE

## Fanless 12.1" Industrial Panel PC with VIA Eden® X4

### Dimensions - I/O View :

- A - Power switch
- B - PS/2 mouse port
- C - LPT port
- D - Gigabit LAN 1
- E - Gigabit LAN 2
- F - Line-in
- G - Line-out
- H - Mic-in
- J - 2x USB 2.0
- K - 2x USB 2.0
- L - RS-232 (COM 1)
- M - VGA
- N - PS/2 keyboard port
- O - Supply connector
- P - 1x PCI slot
- Q - 1x USB 2.0



### FRONTAL PANEL OPTIONAL

Frontal panel graphic customization area for logo<sup>1</sup>

<sup>1</sup>To go on with the frontal panel customization, we need the vectorial logo and the logo spot on the panel.  
Later we will send you a preview to be confirmed.

Unit : mm

