

# PSR110-FM



Fanless 10.4" Industrial Panel PC with Intel® Celeron J1900



## FEATURES

- Intel® Celeron J1900
- 10.4" 800x600 LCD display
- Resistive touch
- Front panel, IP66-compliant
- Dual Gigabit Ethernet
- Dual display support
- Wide DC power range 9-36 VDC
- Wide AC power range 110-230 VAC



## SYSTEM

|             |                                     |
|-------------|-------------------------------------|
| CPU         | Intel® Celeron® J1900, QC, 2.0 GHz  |
| CHIPSET     | Intel® Baytrail                     |
| GRAPHICS    | Intel® Gen7 Graphics DX 11, OGL 3.2 |
| MEMORY TYPE | 1x DDR3L SO-DIMM 1600 MHz max 8 GB  |
| AUDIO       | High Definition Audio               |
| ETHERNET    | 2x Realtek 8111G 10/100/1000 Mbps   |

## DISPLAY

|                |                                 |
|----------------|---------------------------------|
| TFT TYPE       | 10.4" TFT LCD                   |
| MAX RESOLUTION | 800x600                         |
| LUMINANCE      | 230 cd/m <sup>2</sup>           |
| CONTRAST RATIO | 500 : 1                         |
| VIEW ANGLE     | 80° / 80° / 60° / 70° (L/R/U/D) |
| MAX COLORS     | 16.7 Millions                   |
| TOUCH TYPE     | Five wire resistive             |

## STORAGE

|        |                   |
|--------|-------------------|
| DEVICE | 1x 2.5" SSD / HDD |
|--------|-------------------|

## EXTERNAL I/O

|                   |   |
|-------------------|---|
| SERIAL PORTS      | 1x COM (RS-232/422/485), 3x COM (RS-232)                    |
| USB PORTS         | 2x USB 3.0, 2x USB 2.0, 1x USB 2.0 on front panel           |
| AUDIO             | 1x Line-Out   |
| VIDEO OUTPUT      | 1x VGA (1920x1200), 1x HDMI (1920x1200)                     |
| LAN               | 2x RJ45 Ethernet ports                                      |
| PS2               | N/A   |
| SUPPLY CONNECTION | 24 VDC terminal block<br>110-230 VAC standard VDE connector |

## EXPANSION SLOT

|                   |  |
|-------------------|--|
| MINI-PCIE         | 1x half size with PCIe x1              |
| MINI-PCIE / MSATA | 1x full size shared with mSATA (SATA2) |

## OS SUPPORT

|            |   |
|------------|---|
| MICROSOFT® | Windows Seven SP1 (32 / 64 bit)                 |
| MICROSOFT® | Windows Seven Embedded Standard (32 / 64 bit)   |
| MICROSOFT® | Windows 10 Enterprise LTSC 2016 (32 / 64 bit)   |
| MICROSOFT® | Windows 10 Enterprise LTSC 2019 (32 / 64 bit)   |
| MICROSOFT® | Windows 10 PRO (32 / 64 bit)                    |
| LINUX      | Ubuntu 20.04.1 LTS or newer and further distros |

## POWER SYSTEM

|                     |                       |
|---------------------|-----------------------|
| RATED INPUT VOLTAGE | 24 VDC - 110-230 VAC  |
| INPUT VOLTAGE LIMIT | 9-36 VDC - 90-264 VAC |
| POWER CONSUMPTION   | 29 W                  |

## MECHANICAL

|                   |                                     |
|-------------------|-------------------------------------|
| DIMENSION (WxHxD) | 300x245x92 mm (11.8x9.6x3.6 in)     |
| WEIGHT            | 3.5 Kg                              |
| FRONT PANEL       | Anodized aluminum                   |
| CHASSIS           | SECC steel (galvanized)             |
| MOUNTING TYPE     | Panel mounting with retaining clips |

## ENVIRONMENT

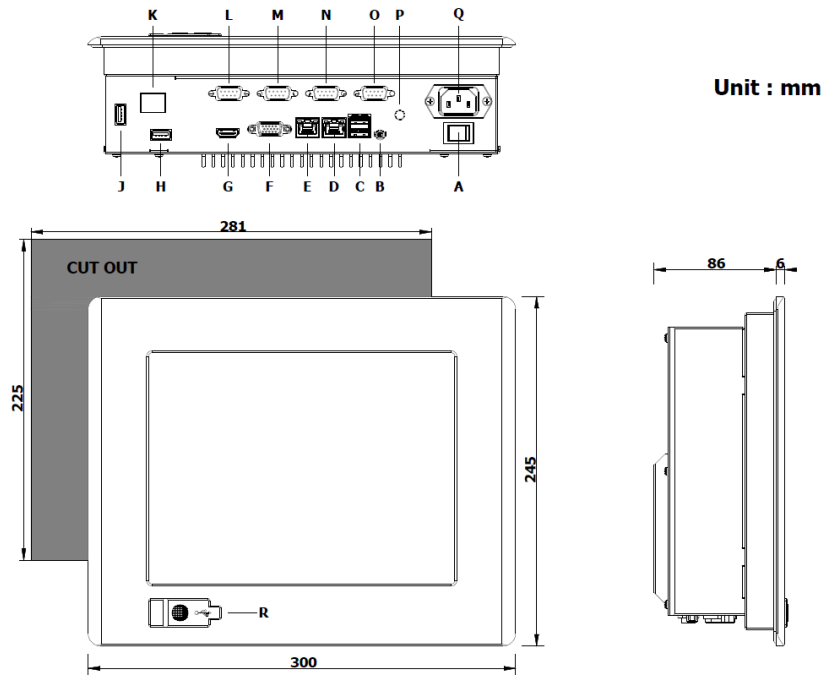
|                        |                                   |
|------------------------|-----------------------------------|
| OPERATING TEMPERATURE  | 0 ~ 50 °C (32 ~ 122 °F)           |
| STORAGE TEMPERATURE    | -20 ~ 60 °C (-4 ~ 140 °F)         |
| OPERATING HUMIDITY     | 10 ~ 95 % @ 40°C (non-condensing) |
| FRONT PANEL PROTECTION | IP66                              |
| EMC                    | CE                                |
| SAFETY                 | CE                                |

# PSR110-FM

## Fanless 10.4" Industrial Panel PC with Intel® Celeron J1900

### Dimensions - I/O View :

- A - Power switch
- B - Audio output
- C - 2x USB 3.0
- D - Gigabit LAN 2
- E - Gigabit LAN 1
- F - VGA
- G - HDMI
- H - 1x USB 2.0
- J - 1x USB 2.0
- K - Gigabit LAN 3 (optional)
- L - RS-232 (COM 4)
- M - RS-232 (COM 3)
- N - RS-232 (COM 2)
- O - RS-232/422/485 (COM 1)
- P - Wi-fi antenna (optional)
- Q - Supply connector
- R - 1x USB 2.0



| AVAILABLE OPTIONS  |   | CONFIGURATION NUMBER |   |   |   |   |   |   |
|--|---|----------------------|---|---|---|---|---|---|
|  |   | 1                    | 2 | 3 | 4 | 5 | 6 | 7 |
| <b>WiFi Lan</b>  | Wi-Fi Lan <sup>1</sup>  | ●                    |   |   |   | ● | ● | ● |
| <b>LAN</b>   | 1x RJ45 Gigabit Lan MiniPCI-Express card                                  |                      | ● |   |   | ● |   |   |
| <b>Serial Ports</b>  | 2x optoisolated serial ports RS-422/485 MiniPCI-Express card <sup>2</sup> |                      |   |   | ● |   |   | ● |
| Notes  |   |                      |   |   |   |   |   |   |
| <sup>1</sup> 1 mt Wi-Fi antenna cable extension available on request                   |   |                      |   |   |   |   |   |   |
| <sup>2</sup> Serial ports will be set on the "M-L" position instead of RS232 COM3-COM4 |   |                      |   |   |   |   |   |   |

# PSR110-FM

Fanless 10.4" Industrial Panel PC with Intel® Celeron J1900

## FRONTAL PANEL OPTIONAL

Frontal panel graphic customization area for logo<sup>1</sup>



<sup>1</sup>To go on with the frontal panel customization, we need the vectorial logo and the logo spot on the panel.  
Later we will send you a preview to be confirmed.

Unit : mm

